

Product designation				Rotary cam switches	
Product type designation				GX32	
General characteristics					
Switching diagram				08 - ON/OFF switch 4 poles	
N° of elements				2	
Mounting form				U25 - Front mounting with red/yellow handle padlockable in 0 and protection covers	
Contact characteristics					
Rated insulation voltage U_i	IEC/EN	V	690		
	UL/CSA	V	600		
Rated impulse withstand voltage U_{imp}			kV	6	
Conventional free air thermal current I_{th}	IEC/EN	A	32		
	UL/CSA	A	32		
Rated operational voltage			V	440	
Rated operational impulse voltage			kV	4	
Maximum fuse size for short-circuit protection I_n (gG)	10kA	A	35		
	15kA	A	35		
	25kA	A	35		
Rated short time current I_{cw}	1s	kA	1000		
				10/5 mA/V	
Conductivity				10/5 mA/V	
Operational current I_e IEC/EN	AC1/AC21A		A	32	
	AC15				
		110V	A	25	
		220/230V	A	20	
		380/400V	A	10	
		660/690V	A	2	
Rated operational power in AC	Three-phase AC-3				
			220/230V	kW	7.5
			380/440V	kW	11
			500/690V	kW	11
	Single-phase AC-3				
			110V	kW	1.8
			220/230V	kW	3.5
			380/440V	kW	5.5
	Three-phase AC23A				
			220/230V	kW	8
			380/440V	kW	15
			500/690V	kW	15
Single-phase AC23A					
		110V	kW	2.2	
		220/230V	kW	3.5	

	380/440V	kW	6
Rated operational current in DC			
DC21A	48V	A	32
	60V	A	32
	110V	A	5
	220V	A	0.8
	440V	A	0.25
DC23A (poles in series)	24V	A	32 (1)
	48V	A	32 (2)
	60V	A	32 (3)
	110V	A	15 (3)
	220V	A	12 (4)
DC13	24V	A	32
	48V	A	25
	60V	A	14
	110V	A	3
	220V	A	0.5
	440V	A	0.15
Power dissipation		W	1.6
Mechanical features			
Terminals screw			M4
Tightening torque for terminals max		Nm	1.2
Conductor size			
AWG - Rigid cable	min	AWG	16
	Max	AWG	8
AWG - Flexible cable	min	AWG	16
	Max	AWG	10
Conductor size (IEC) - Flexible cable	min	mm ²	1.5
	Max	mm ²	6
Conductor size (IEC) - Rigid cable	min	mm ²	1.5
	Max	mm ²	10
Mechanical life		cycles	1X10 ⁶
UL technical data			
Motor power for direct-on-line control			
for three-phase motor	120V	HP	3
	240V	HP	7.5
	480V	HP	15
	600V	HP	15
for single-phase motor	120V	HP	1.5
	240V	HP	3
Ambient conditions			
Temperature			
Operating temperature	min	°C	-25
	max	°C	+55

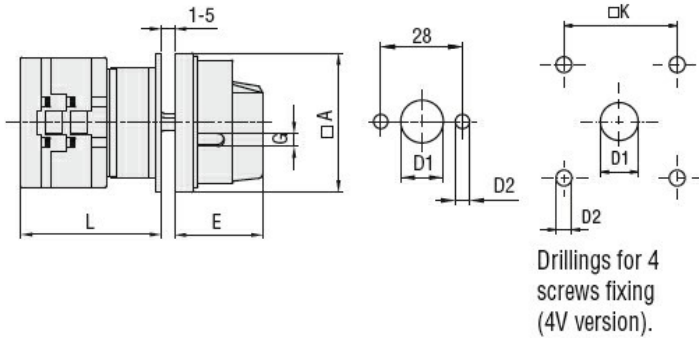
Storage temperature

min °C -40
max °C +70

Resistance & Protection

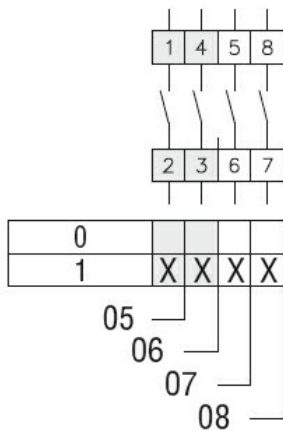
Frontal IP degree	IP65
Terminals IP degree	IP20

Dimensions



Series	Dimensions						L			
	□A	D1	D2	E	G	□K	1	2	3...12	
GX16	48	12	5	34.2	5	36	43	51.5	60	136.5
GX20	48	12	5	34.2	5	36	43	51.5	60	136.5
GX32	65	14	5	38	6	48	51	63	75	183
GX40	65	14	5	38	6	48	51	63	75	183

Wiring diagrams



Certifications and compliance

Compliance

- CSA C22.2 n° 14
- IEC/EN/BS 60947-1
- IEC/EN/BS 60947-3
- IEC/EN/BS 60947-5-1
- IEC/EN/BS 61058-1
- UL60947-4-1

Certificates

- cULus
- EAC

ETIM classification

ETIM 8.0

EC001029 -
Selector switch,
complete