

Product designation				Rotary cam switches
Product type designation				GX20
<b>General characteristics</b>				
Switching diagram				55 - Changeover switch without 0 2 poles
N° of elements				2
Mounting form				U11 - Front mounting with black handle without front plate for hole diam. 22mm fixing
<b>Contact characteristics</b>				
Rated insulation voltage $U_i$	IEC/EN	V	690	
	UL/CSA	V	600	
Rated impulse withstand voltage $U_{imp}$			kV	6
Conventional free air thermal current $I_{th}$	IEC/EN	A	20	
	UL/CSA	A	15	
Rated operational voltage			V	440
Rated operational impulse voltage			kV	4
Maximum fuse size for short-circuit protection $I_n$ (gG)	10kA	A	20	
	15kA	A	20	
	25kA	A	20	
Rated short time current $I_{cw}$			1s	kA
				250
Conductivity				10/5 mA/V
Operational current $I_e$ IEC/EN	AC1/AC21A			A
				20
AC15	110V	A	10	
	220/230V	A	8	
	380/400V	A	6	
	660/690V	A	1.5	
Rated operational power in AC	Three-phase AC-3			
	220/230V	kW	3.7	
	380/440V	kW	5.5	
	500/690V	kW	5.5	
	Single-phase AC-3			
	110V	kW	0.75	
	220/230V	kW	1.8	
	380/440V	kW	3	
	Three-phase AC23A			
	220/230V	kW	4	
380/440V	kW	7.5		
500/690V	kW	7.5		
Single-phase AC23A				
	110V	kW	0.75	

	220/230V	kW	2.2
	380/440V	kW	3.5
<b>Rated operational current in DC</b>			
DC21A			
	48V	A	20
	60V	A	20
	110V	A	4
	220V	A	0.6
	440V	A	0.25
<b>DC23A (poles in series)</b>			
	24V	A	20 (1)
	48V	A	20 (2)
	60V	A	20 (3)
	110V	A	10 (3)
	220V	A	8 (4)
<b>DC13</b>			
	24V	A	20
	48V	A	16
	60V	A	12
	110V	A	1
	220V	A	0.4
	440V	A	0.15
<b>Power dissipation</b>		W	0.6
<b>Mechanical features</b>			
<b>Terminals screw</b>			M3
<b>Tightening torque for terminals max</b>		Nm	0.8
<b>Conductor size</b>			
AWG - Rigid cable			
	min	AWG	20
	Max	AWG	12
AWG - Flexible cable			
	min	AWG	20
	Max	AWG	12
Conductor size (IEC) - Flexible cable			
	min	mm <sup>2</sup>	0.5
	Max	mm <sup>2</sup>	2.5
Conductor size (IEC) - Rigid cable			
	min	mm <sup>2</sup>	0.5
	Max	mm <sup>2</sup>	2.5
<b>Mechanical life</b>		cycles	1X10 <sup>6</sup>
<b>UL technical data</b>			
<b>Motor power for direct-on-line control</b>			
for three-phase motor			
	120V	HP	1.5
	240V	HP	3
	480V	HP	5
	600V	HP	5
for single-phase motor			
	120V	HP	0.75
	240V	HP	1.5
<b>Ambient conditions</b>			
<b>Temperature</b>			
Operating temperature			
	min	°C	-25

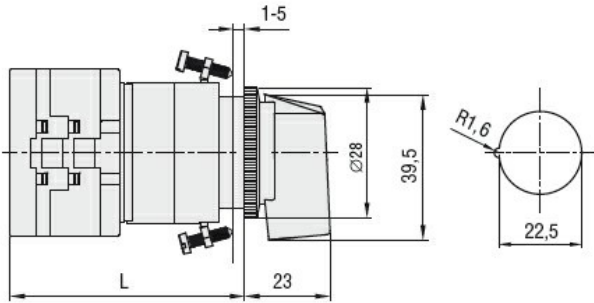
Storage temperature

max °C +55  
min °C -40  
max °C +70

**Resistance & Protection**

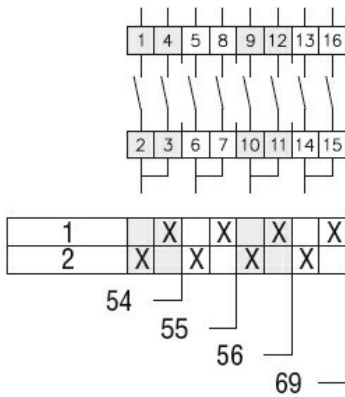
Frontal IP degree IP65  
Terminals IP degree IP20

**Dimensions**



Series	L			
	1	2	3.....8	
<b>GX16</b>	54	62.5	71	147.5
<b>GX20</b>	54	62.5	71	147.5

**Wiring diagrams**



**Certifications and compliance**

**Compliance**

CSA C22.2 n° 14  
IEC/EN/BS 60947-1  
IEC/EN/BS 60947-3  
IEC/EN/BS 60947-5-1  
IEC/EN/BS 61058-1  
UL60947-4-1

**Certificates**

cULus  
EAC

**ETIM classification**

ETIM 8.0

EC001029 -  
Selector switch,  
complete