

Product designation				Rotary cam switches	
Product type designation				GX20	
<b>General characteristics</b>					
Switching diagram				52 - Changeover switch 2 poles	
N° of elements				2	
Mounting form				U11 - Front mounting with black handle without front plate for hole diam. 22mm fixing	
<b>Contact characteristics</b>					
Rated insulation voltage $U_i$	IEC/EN	V	690		
	UL/CSA	V	600		
Rated impulse withstand voltage $U_{imp}$			kV	6	
Conventional free air thermal current $I_{th}$	IEC/EN	A	20		
	UL/CSA	A	15		
Rated operational voltage			V	440	
Rated operational impulse voltage			kV	4	
Maximum fuse size for short-circuit protection $I_n$ (gG)	10kA	A	20		
	15kA	A	20		
	25kA	A	20		
Rated short time current $I_{cw}$	1s	kA	250		
				10/5 mA/V	
Conductivity				10/5 mA/V	
Operational current $I_e$ IEC/EN	AC1/AC21A		A	20	
	AC15				
		110V	A	10	
		220/230V	A	8	
		380/400V	A	6	
		660/690V	A	1.5	
Rated operational power in AC	Three-phase AC-3				
			220/230V	kW	3.7
			380/440V	kW	5.5
			500/690V	kW	5.5
	Single-phase AC-3				
			110V	kW	0.75
			220/230V	kW	1.8
			380/440V	kW	3
	Three-phase AC23A				
			220/230V	kW	4
			380/440V	kW	7.5
			500/690V	kW	7.5
Single-phase AC23A					
		110V	kW	0.75	
		220/230V	kW	2.2	

	380/440V	kW	3.5
Rated operational current in DC			
DC21A	48V	A	20
	60V	A	20
	110V	A	4
	220V	A	0.6
	440V	A	0.25
DC23A (poles in series)	24V	A	20 (1)
	48V	A	20 (2)
	60V	A	20 (3)
	110V	A	10 (3)
	220V	A	8 (4)
DC13	24V	A	20
	48V	A	16
	60V	A	12
	110V	A	1
	220V	A	0.4
	440V	A	0.15
Power dissipation		W	0.6
<b>Mechanical features</b>			
Terminals screw			M3
Tightening torque for terminals max		Nm	0.8
Conductor size			
AWG - Rigid cable	min	AWG	20
	Max	AWG	12
AWG - Flexible cable	min	AWG	20
	Max	AWG	12
Conductor size (IEC) - Flexible cable	min	mm <sup>2</sup>	0.5
	Max	mm <sup>2</sup>	2.5
Conductor size (IEC) - Rigid cable	min	mm <sup>2</sup>	0.5
	Max	mm <sup>2</sup>	2.5
Mechanical life		cycles	1X10 <sup>6</sup>
<b>UL technical data</b>			
Motor power for direct-on-line control			
for three-phase motor	120V	HP	1.5
	240V	HP	3
	480V	HP	5
	600V	HP	5
for single-phase motor	120V	HP	0.75
	240V	HP	1.5
<b>Ambient conditions</b>			
Temperature			
Operating temperature	min	°C	-25
	max	°C	+55

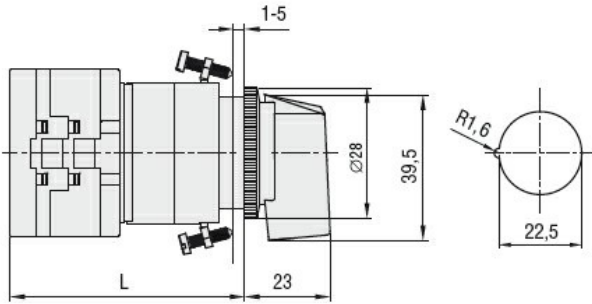
Storage temperature

min °C -40  
max °C +70

**Resistance & Protection**

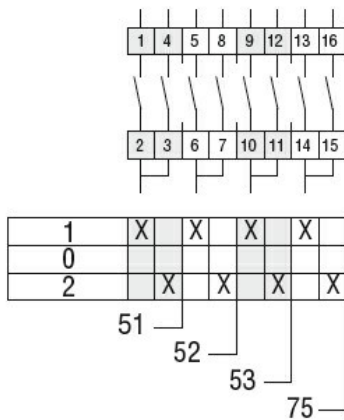
Frontal IP degree IP65  
Terminals IP degree IP20

**Dimensions**



Series	L			
	1	2	3...8	
<b>GX16</b>	54	62.5	71	147.5
<b>GX20</b>	54	62.5	71	147.5

**Wiring diagrams**



**Certifications and compliance**

Compliance

CSA C22.2 n° 14  
IEC/EN/BS 60947-1  
IEC/EN/BS 60947-3  
IEC/EN/BS 60947-5-1  
IEC/EN/BS 61058-1  
UL60947-4-1

Certificates

cULus  
EAC

**ETIM classification**

ETIM 8.0

EC001029 -  
Selector switch,  
complete