



Product designation

Rotary cam  
switches

Product type designation

GX16

**General characteristics**

Switching diagram

90 - ON/OFF  
switch 1 pole

N° of elements

1

Mounting form

U25 - Front  
mounting with  
red/yellow handle  
padlockable in 0  
and protection  
covers

**Contact characteristics**

Rated insulation voltage  $U_i$

IEC/EN	V	690
UL/CSA	V	600

Rated impulse withstand voltage  $U_{imp}$

kV	6
----	---

Conventional free air thermal current  $I_{th}$

IEC/EN	A	16
UL/CSA	A	12

Rated operational voltage

V	440
---	-----

Rated operational impulse voltage

kV	4
----	---

Maximum fuse size for short-circuit protection  $I_n$  (gG)

10kA	A	16
15kA	A	16
25kA	A	16

Rated short time current  $I_{cw}$

1s	kA	250
----	----	-----

Conductivity

10/5 mA/V

Operational current  $I_e$  IEC/EN

AC1/AC21A

A	16
---	----

AC15

110V	A	10
220/230V	A	8
380/400V	A	4
660/690V	A	1.5

Rated operational power in AC

Three-phase AC-3

220/230V	kW	3.5
380/440V	kW	4.5
500/690V	kW	5.5

Single-phase AC-3

110V	kW	0.55
220/230V	kW	1.5

	380/440V	kW	2.2
Three-phase AC23A	220/230V	kW	3.7
	380/440V	kW	6.5
	500/690V	kW	7.5
Single-phase AC23A	110V	kW	0.75
	220/230V	kW	1.8
	380/440V	kW	3
Rated operational current in DC			
DC21A	48V	A	16
	60V	A	16
	110V	A	4
	220V	A	0.6
	440V	A	0.25
DC23A (poles in series)	24V	A	16 (1)
	48V	A	16 (2)
	60V	A	16 (3)
	110V	A	10 (3)
	220V	A	7 (4)
DC13	24V	A	16
	48V	A	14
	60V	A	10
	110V	A	1
	220V	A	0.4
	440V	A	0.15
Power dissipation		W	0.6
<b>Mechanical features</b>			
Terminals screw			3M
Tightening torque for terminals max		Nm	0.5
Conductor size			
AWG - Rigid cable			
	min	AWG	20
	Max	AWG	12
AWG - Flexible cable			
	min	AWG	20
	Max	AWG	12
Conductor size (IEC) - Flexible cable			
	min	mm <sup>2</sup>	0.5
	Max	mm <sup>2</sup>	2.5
Conductor size (IEC) - Rigid cable			
	min	mm <sup>2</sup>	0.5
	Max	mm <sup>2</sup>	2.5
Mechanical life		cycles	1X10 <sup>6</sup>
<b>UL technical data</b>			
Motor power for direct-on-line control for three-phase motor			
	120V	HP	1.5
	240V	HP	3
	480V	HP	5
	600V	HP	5

for single-phase motor

120V	HP	0.75
240V	HP	1

**Ambient conditions**

Temperature

Operating temperature

min	°C	-25
max	°C	+55

Storage temperature

min	°C	-40
max	°C	+70

**Resistance & Protection**

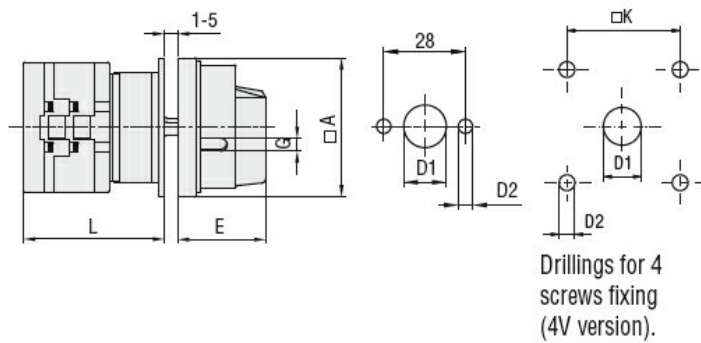
Frontal IP degree

IP65

Terminals IP degree

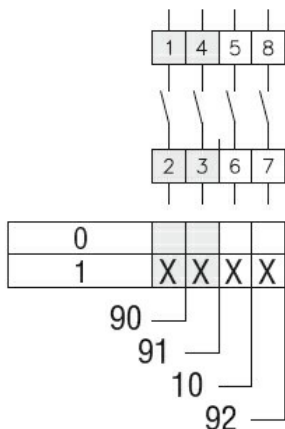
IP20

**Dimensions**



Series	Dimensions						L			
	□A	D1	D2	E	G	□K	1	2	3...12	
<b>GX16</b>	48	12	5	34.2	5	36	43	51.5	60	136.5
<b>GX20</b>	48	12	5	34.2	5	36	43	51.5	60	136.5
<b>GX32</b>	65	14	5	38	6	48	51	63	75	183
<b>GX40</b>	65	14	5	38	6	48	51	63	75	183

**Wiring diagrams**



**Certifications and compliance**

Compliance

- CSA C22.2 n° 14
- IEC/EN/BS 60947-1
- IEC/EN/BS 60947-3

---

IEC/EN/BS 60947-5-1

---

IEC/EN/BS 61058-1

---

UL60947-4-1

Certificates

---

cULus

---

EAC

ETIM classification

ETIM 8.0

EC001029 -  
Selector switch,  
complete