

Product designation				Rotary cam switches
Product type designation				GX16
General characteristics				
Switching diagram				75 - Changeover switch 4 poles
N° of elements				4
Mounting form				U11 - Front mounting with black handle without front plate for hole diam. 22mm fixing
Contact characteristics				
Rated insulation voltage U_i	IEC/EN	V	690	
	UL/CSA	V	600	
Rated impulse withstand voltage U_{imp}			kV	6
Conventional free air thermal current I_{th}	IEC/EN	A	16	
	UL/CSA	A	12	
Rated operational voltage			V	440
Rated operational impulse voltage			kV	4
Maximum fuse size for short-circuit protection I_n (gG)	10kA	A	16	
	15kA	A	16	
	25kA	A	16	
Rated short time current I_{cw}			1s	kA
				250
Conductivity				10/5 mA/V
Operational current I_e IEC/EN	AC1/AC21A		A	16
	AC15			
	110V	A	10	
	220/230V	A	8	
	380/400V	A	4	
	660/690V	A	1.5	
Rated operational power in AC	Three-phase AC-3			
	220/230V	kW	3.5	
	380/440V	kW	4.5	
	500/690V	kW	5.5	
	Single-phase AC-3			
	110V	kW	0.55	
	220/230V	kW	1.5	
	380/440V	kW	2.2	
	Three-phase AC23A			
	220/230V	kW	3.7	
	380/440V	kW	6.5	
	500/690V	kW	7.5	
Single-phase AC23A				
110V	kW	0.75		
220/230V	kW	1.8		

		380/440V	kW	3
Rated operational current in DC				
DC21A		48V	A	16
		60V	A	16
		110V	A	4
		220V	A	0.6
		440V	A	0.25
DC23A (poles in series)		24V	A	16 (1)
		48V	A	16 (2)
		60V	A	16 (3)
		110V	A	10 (3)
		220V	A	7 (4)
DC13		24V	A	16
		48V	A	14
		60V	A	10
		110V	A	1
		220V	A	0.4
		440V	A	0.15
Power dissipation			W	0.6
Mechanical features				
Terminals screw				3M
Tightening torque for terminals max			Nm	0.5
Conductor size				
AWG - Rigid cable		min	AWG	20
		Max	AWG	12
AWG - Flexible cable		min	AWG	20
		Max	AWG	12
Conductor size (IEC) - Flexible cable		min	mm ²	0.5
		Max	mm ²	2.5
Conductor size (IEC) - Rigid cable		min	mm ²	0.5
		Max	mm ²	2.5
Mechanical life			cycles	1X10 ⁶
UL technical data				
Motor power for direct-on-line control				
for three-phase motor		120V	HP	1.5
		240V	HP	3
		480V	HP	5
		600V	HP	5
for single-phase motor		120V	HP	0.75
		240V	HP	1
Ambient conditions				
Temperature				
Operating temperature		min	°C	-25
		max	°C	+55

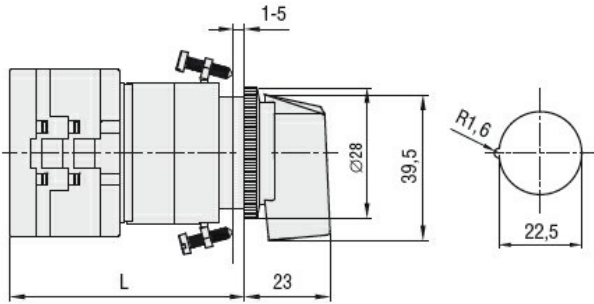
Storage temperature

min °C -40
max °C +70

Resistance & Protection

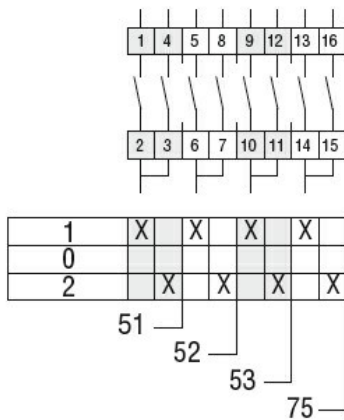
Frontal IP degree IP65
Terminals IP degree IP20

Dimensions



Series	L			
	1	2	3...8	
GX16	54	62.5	71	147.5
GX20	54	62.5	71	147.5

Wiring diagrams



Certifications and compliance

Compliance

CSA C22.2 n° 14
IEC/EN/BS 60947-1
IEC/EN/BS 60947-3
IEC/EN/BS 60947-5-1
IEC/EN/BS 61058-1
UL60947-4-1

Certificates

cULus
EAC

ETIM classification

ETIM 8.0

EC001029 -
Selector switch,
complete