

| | | | | |
|---|-------------------|------|------|---|
| Product designation | | | | Rotary cam switches |
| Product type designation | | | | GX16 |
| General characteristics | | | | |
| Switching diagram | | | | 52 - Changeover switch 2 poles |
| N° of elements | | | | 2 |
| Mounting form | | | | U11 - Front mounting with black handle without front plate for hole diam. 22mm fixing |
| Contact characteristics | | | | |
| Rated insulation voltage U_i | IEC/EN | V | 690 | |
| | UL/CSA | V | 600 | |
| Rated impulse withstand voltage U_{imp} | | | kV | 6 |
| Conventional free air thermal current I_{th} | IEC/EN | A | 16 | |
| | UL/CSA | A | 12 | |
| Rated operational voltage | | | V | 440 |
| Rated operational impulse voltage | | | kV | 4 |
| Maximum fuse size for short-circuit protection I_n (gG) | 10kA | A | 16 | |
| | 15kA | A | 16 | |
| | 25kA | A | 16 | |
| Rated short time current I_{cw} | 1s | kA | 250 | |
| | | | | 10/5 mA/V |
| Conductivity | | | | 10/5 mA/V |
| Operational current I_e IEC/EN | AC1/AC21A | | | A |
| | AC15 | | | |
| Rated operational power in AC | Three-phase AC-3 | | | |
| | 220/230V | kW | 3.5 | |
| | 380/440V | kW | 4.5 | |
| | 500/690V | kW | 5.5 | |
| | Single-phase AC-3 | | | |
| | 110V | kW | 0.55 | |
| | 220/230V | kW | 1.5 | |
| | 380/440V | kW | 2.2 | |
| | Three-phase AC23A | | | |
| | 220/230V | kW | 3.7 | |
| 380/440V | kW | 6.5 | | |
| 500/690V | kW | 7.5 | | |
| Single-phase AC23A | | | | |
| 110V | kW | 0.75 | | |
| 220/230V | kW | 1.8 | | |

| | 380/440V | kW | 3 |
|--|----------|-----------------|-------------------|
| Rated operational current in DC | | | |
| DC21A | 48V | A | 16 |
| | 60V | A | 16 |
| | 110V | A | 4 |
| | 220V | A | 0.6 |
| | 440V | A | 0.25 |
| DC23A (poles in series) | 24V | A | 16 (1) |
| | 48V | A | 16 (2) |
| | 60V | A | 16 (3) |
| | 110V | A | 10 (3) |
| | 220V | A | 7 (4) |
| DC13 | 24V | A | 16 |
| | 48V | A | 14 |
| | 60V | A | 10 |
| | 110V | A | 1 |
| | 220V | A | 0.4 |
| | 440V | A | 0.15 |
| Power dissipation | | W | 0.6 |
| Mechanical features | | | |
| Terminals screw | | | 3M |
| Tightening torque for terminals max | | Nm | 0.5 |
| Conductor size | | | |
| AWG - Rigid cable | min | AWG | 20 |
| | Max | AWG | 12 |
| AWG - Flexible cable | min | AWG | 20 |
| | Max | AWG | 12 |
| Conductor size (IEC) - Flexible cable | min | mm ² | 0.5 |
| | Max | mm ² | 2.5 |
| Conductor size (IEC) - Rigid cable | min | mm ² | 0.5 |
| | Max | mm ² | 2.5 |
| Mechanical life | | cycles | 1X10 ⁶ |
| UL technical data | | | |
| Motor power for direct-on-line control | | | |
| for three-phase motor | 120V | HP | 1.5 |
| | 240V | HP | 3 |
| | 480V | HP | 5 |
| | 600V | HP | 5 |
| for single-phase motor | 120V | HP | 0.75 |
| | 240V | HP | 1 |
| Ambient conditions | | | |
| Temperature | | | |
| Operating temperature | min | °C | -25 |
| | max | °C | +55 |

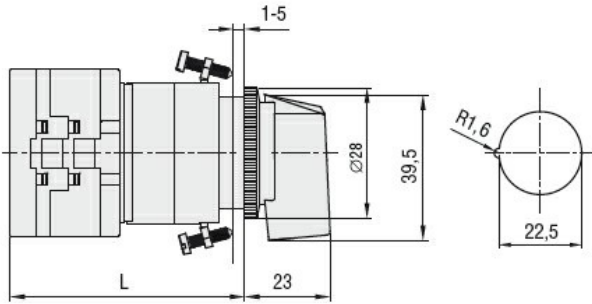
Storage temperature

| | | |
|-----|----|-----|
| min | °C | -40 |
| max | °C | +70 |

Resistance & Protection

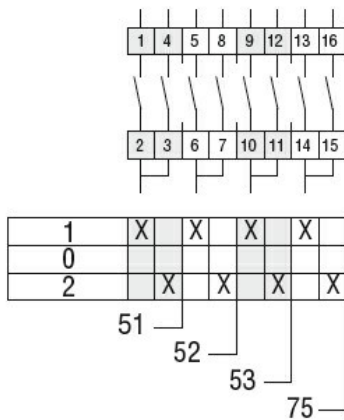
| | |
|---------------------|------|
| Frontal IP degree | IP65 |
| Terminals IP degree | IP20 |

Dimensions



| Series | L | | | |
|-------------|----|------|-------|-------|
| | 1 | 2 | 3...8 | |
| GX16 | 54 | 62.5 | 71 | 147.5 |
| GX20 | 54 | 62.5 | 71 | 147.5 |

Wiring diagrams



Certifications and compliance

Compliance

- CSA C22.2 n° 14
- IEC/EN/BS 60947-1
- IEC/EN/BS 60947-3
- IEC/EN/BS 60947-5-1
- IEC/EN/BS 61058-1
- UL60947-4-1

Certificates

- cULus
- EAC

ETIM classification

ETIM 8.0

EC001029 -
Selector switch,
complete