

Product designation				Rotary cam switches	
Product type designation				GX16	
General characteristics					
Switching diagram				20 - Dahlander motor 2-speed reversing switch	
N° of elements				6	
Mounting form				O48 - Modular service cover for 35mm din rail mounting with black handle	
Contact characteristics					
Rated insulation voltage U_i	IEC/EN	V	690		
	UL/CSA	V	600		
Rated impulse withstand voltage U_{imp}			kV	6	
Conventional free air thermal current I_{th}	IEC/EN	A	16		
	UL/CSA	A	12		
Rated operational voltage			V	440	
Rated operational impulse voltage			kV	4	
Maximum fuse size for short-circuit protection I_n (gG)	10kA	A	16		
	15kA	A	16		
	25kA	A	16		
Rated short time current I_{cw}			1s	kA	
				250	
Conductivity				10/5 mA/V	
Operational current I_e IEC/EN	AC1/AC21A		A	16	
	AC15				
		110V	A	10	
		220/230V	A	8	
		380/400V	A	4	
		660/690V	A	1.5	
Rated operational power in AC	Three-phase AC-3				
			220/230V	kW	3.5
			380/440V	kW	4.5
			500/690V	kW	5.5
	Single-phase AC-3				
			110V	kW	0.55
			220/230V	kW	1.5
			380/440V	kW	2.2
	Three-phase AC23A				
			220/230V	kW	3.7
			380/440V	kW	6.5
			500/690V	kW	7.5
Single-phase AC23A					
		110V	kW	0.75	
		220/230V	kW	1.8	

	380/440V	kW	3
Rated operational current in DC			
DC21A	48V	A	16
	60V	A	16
	110V	A	4
	220V	A	0.6
	440V	A	0.25
DC23A (poles in series)	24V	A	16 (1)
	48V	A	16 (2)
	60V	A	16 (3)
	110V	A	10 (3)
	220V	A	7 (4)
DC13	24V	A	16
	48V	A	14
	60V	A	10
	110V	A	1
	220V	A	0.4
	440V	A	0.15
Power dissipation		W	0.6
Mechanical features			
Terminals screw			3M
Tightening torque for terminals max		Nm	0.5
Conductor size			
AWG - Rigid cable	min	AWG	20
	Max	AWG	12
AWG - Flexible cable	min	AWG	20
	Max	AWG	12
Conductor size (IEC) - Flexible cable	min	mm ²	0.5
	Max	mm ²	2.5
Conductor size (IEC) - Rigid cable	min	mm ²	0.5
	Max	mm ²	2.5
Mechanical life		cycles	1X10 ⁶
UL technical data			
Motor power for direct-on-line control			
for three-phase motor	120V	HP	1.5
	240V	HP	3
	480V	HP	5
	600V	HP	5
for single-phase motor	120V	HP	0.75
	240V	HP	1
Ambient conditions			
Temperature			
Operating temperature	min	°C	-25
	max	°C	+55

Storage temperature

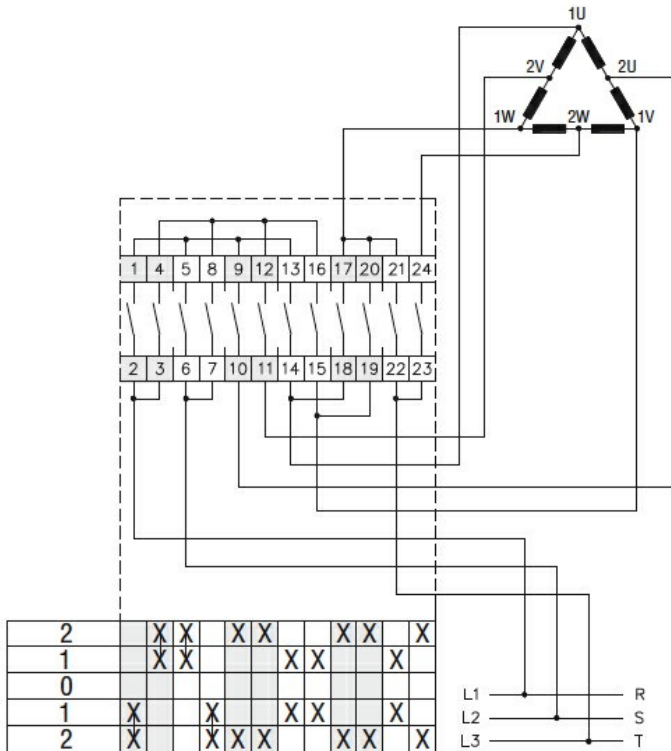
min °C -40
max °C +70

Resistance & Protection

Frontal IP degree IP65
Terminals IP degree IP20

Dimensions

Wiring diagrams



Certifications and compliance

Compliance

CSA C22.2 n° 14
IEC/EN/BS 60947-1
IEC/EN/BS 60947-3
IEC/EN/BS 60947-5-1
IEC/EN/BS 61058-1
UL60947-4-1

Certificates

cULus
EAC

ETIM classification

ETIM 8.0

EC001029 -
Selector switch,
complete