

Product designation				Enclosed rotary cam switch
Product type designation				GX16
<b>General characteristics</b>				
Switching diagram				12 - Star-delta motor starter switch
N° of elements				4
Mounting form				P - Plastic enclosure with black handle
<b>Contact characteristics</b>				
Rated insulation voltage $U_i$	IEC/EN	V	690	
	UL/CSA	V	600	
Rated impulse withstand voltage $U_{imp}$		kV	6	
Conventional free air thermal current $I_{th}$	IEC/EN	A	16	
	UL/CSA	A	12	
Rated operational voltage		V	440	
Rated operational impulse voltage		kV	4	
Maximum fuse size for short-circuit protection $I_n$ (gG)	10kA	A	16	
	15kA	A	16	
	25kA	A	16	
Rated short time current $I_{cw}$		1s	kA	250
				10/5 mA/V
Conductivity				10/5 mA/V
Operational current $I_e$ IEC/EN	AC1/AC21A			A
	AC15			
Rated operational power in AC	Three-phase AC-3			
	220/230V	kW	3.5	
	380/440V	kW	4.5	
	500/690V	kW	5.5	
	Single-phase AC-3			
	110V	kW	0.55	
	220/230V	kW	1.5	
	380/440V	kW	2.2	
	Three-phase AC23A			
	220/230V	kW	3.7	
380/440V	kW	6.5		
500/690V	kW	7.5		
Single-phase AC23A				
110V	kW	0.75		
220/230V	kW	1.8		
380/440V	kW	3		
<b>Rated operational current in DC</b>				

ENCLOSED ROTARY CAM SWITCH GX SERIES, STAR-DELTA MOTOR STARTER SWITCH  
16A IN PLASTIC ENCLOSURE 90X90MM WITH BLACK HANDLE

DC21A				
	48V	A		16
	60V	A		16
	110V	A		4
	220V	A		0.6
	440V	A		0.25
DC23A (poles in series)				
	24V	A		16 (1)
	48V	A		16 (2)
	60V	A		16 (3)
	110V	A		10 (3)
	220V	A		7 (4)
DC13				
	24V	A		16
	48V	A		14
	60V	A		10
	110V	A		1
	220V	A		0.4
	440V	A		0.15
Power dissipation		W		0.6
<b>Mechanical features</b>				
Terminals screw				3M
Tightening torque for terminals max		Nm		0.5
Conductor size				
AWG - Rigid cable				
	min	AWG		20
	Max	AWG		12
AWG - Flexible cable				
	min	AWG		20
	Max	AWG		12
Conductor size (IEC) - Flexible cable				
	min	mm <sup>2</sup>		0.5
	Max	mm <sup>2</sup>		2.5
Conductor size (IEC) - Rigid cable				
	min	mm <sup>2</sup>		0.5
	Max	mm <sup>2</sup>		2.5
Mechanical life		cycles		1X10 <sup>6</sup>
<b>UL technical data</b>				
Motor power for direct-on-line control				
for three-phase motor				
	120V	HP		1.5
	240V	HP		3
	480V	HP		5
	600V	HP		5
for single-phase motor				
	120V	HP		0.75
	240V	HP		1
<b>Ambient conditions</b>				
Temperature				
Operating temperature				
	min	°C		-25
	max	°C		+55
Storage temperature				
	min	°C		-40

max °C +70

**Resistance & Protection**

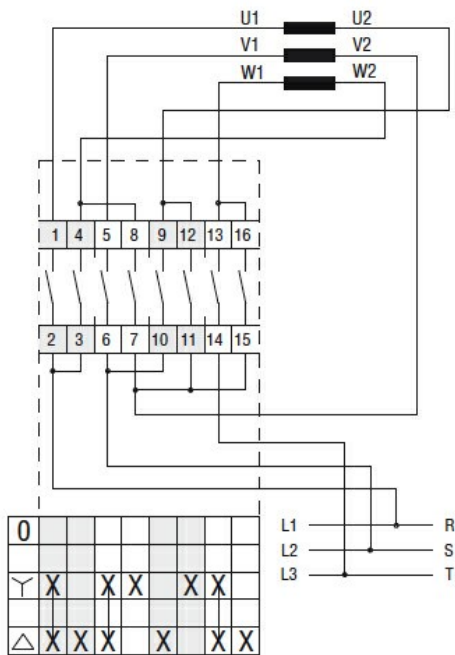
Frontal IP degree	IP65
Terminals IP degree	IP20

**Dimensions**



GX16	90x90	1-2	3-5	90	90	79	79	4.5	25	19	30	71.3	98.3	4xPG16	IP65
GX20		1-2	3-5												
GX16	110x110	1-3	4-7	110	110	98.4	83	4.5	32	21	39.5	85.5	119.5	4xPG21	IP65
GX20		1-3	4-7												
GX32		1-2	3-4												
GX40		1-2	3-4												

**Wiring diagrams**



**Certifications and compliance**

**Compliance**

- IEC/EN/BS 60947-1
- IEC/EN/BS 60947-3
- IEC/EN/BS 60947-5-1
- IEC/EN/BS 61058-1

**Certificates**

EAC

**ETIM classification**

ETIM 8.0

EC001029 -  
Selector switch,  
complete