

Product designation				Rotary cam switches
Product type designation				GX16
General characteristics				
Switching diagram				12 - Star-delta motor starter switch
N° of elements				4
Mounting form				O - Rear mounting with black handle
Contact characteristics				
Rated insulation voltage U_i	IEC/EN	V	690	
	UL/CSA	V	600	
Rated impulse withstand voltage U_{imp}		kV	6	
Conventional free air thermal current I_{th}	IEC/EN	A	16	
	UL/CSA	A	12	
Rated operational voltage		V	440	
Rated operational impulse voltage		kV	4	
Maximum fuse size for short-circuit protection I_n (gG)	10kA	A	16	
	15kA	A	16	
	25kA	A	16	
Rated short time current I_{cw}		1s	kA	250
				10/5 mA/V
Conductivity				10/5 mA/V
Operational current I_e IEC/EN	AC1/AC21A			A 16
	AC15			
Rated operational power in AC	Three-phase AC-3			
	220/230V	kW	3.5	
	380/440V	kW	4.5	
	500/690V	kW	5.5	
	Single-phase AC-3			
	110V	kW	0.55	
	220/230V	kW	1.5	
	380/440V	kW	2.2	
	Three-phase AC23A			
	220/230V	kW	3.7	
380/440V	kW	6.5		
500/690V	kW	7.5		
Single-phase AC23A				
110V	kW	0.75		
220/230V	kW	1.8		
380/440V	kW	3		
Rated operational current in DC				

DC21A				
	48V	A		16
	60V	A		16
	110V	A		4
	220V	A		0.6
	440V	A		0.25
DC23A (poles in series)				
	24V	A		16 (1)
	48V	A		16 (2)
	60V	A		16 (3)
	110V	A		10 (3)
	220V	A		7 (4)
DC13				
	24V	A		16
	48V	A		14
	60V	A		10
	110V	A		1
	220V	A		0.4
	440V	A		0.15
Power dissipation		W		0.6
Mechanical features				
Terminals screw				3M
Tightening torque for terminals max		Nm		0.5
Conductor size				
AWG - Rigid cable				
	min	AWG		20
	Max	AWG		12
AWG - Flexible cable				
	min	AWG		20
	Max	AWG		12
Conductor size (IEC) - Flexible cable				
	min	mm ²		0.5
	Max	mm ²		2.5
Conductor size (IEC) - Rigid cable				
	min	mm ²		0.5
	Max	mm ²		2.5
Mechanical life		cycles		1X10 ⁶
UL technical data				
Motor power for direct-on-line control				
for three-phase motor				
	120V	HP		1.5
	240V	HP		3
	480V	HP		5
	600V	HP		5
for single-phase motor				
	120V	HP		0.75
	240V	HP		1
Ambient conditions				
Temperature				
Operating temperature				
	min	°C		-25
	max	°C		+55
Storage temperature				
	min	°C		-40

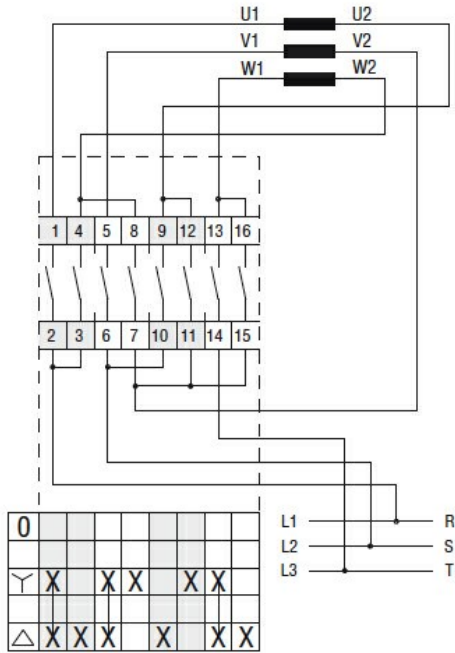
max °C +70

Resistance & Protection

Frontal IP degree	IP65
Terminals IP degree	IP20

Dimensions

Wiring diagrams



Certifications and compliance

Compliance

- CSA C22.2 n° 14
- IEC/EN/BS 60947-1
- IEC/EN/BS 60947-3
- IEC/EN/BS 60947-5-1
- IEC/EN/BS 61058-1
- UL60947-4-1

Certificates

- cULus
- EAC

ETIM classification

ETIM 8.0

EC001029 -
Selector switch,
complete