

|   |                      |          |     |                                      |      |
|---|----------------------|----------|-----|--------------------------------------|------|
| Product designation                                       |                      |          |     | Rotary cam switches                  |      |
| Product type designation                                  |                      |          |     | GN315                                |      |
| <b>General characteristics</b>                            |                      |          |     |                                      |      |
| Switching diagram   |                      |          |     | 94 - Multi-step 1-2-3-4 3 poles      |      |
| N° of elements  |                      |          |     | 6                                    |      |
| Mounting form   |                      |          |     | U - Front mounting with black handle |      |
| <b>Contact characteristics</b>                            |                      |          |     |                                      |      |
| Rated insulation voltage $U_i$                            | IEC/EN               | V        | 690 |                                      |      |
|   | UL/CSA               | V        | 600 |                                      |      |
| Rated impulse withstand voltage $U_{imp}$                 |                      |          | kV  | 8                                    |      |
| Conventional free air thermal current $I_{th}$            | IEC/EN               | A        | 315 |                                      |      |
|   | UL/CSA               | A        | 255 |                                      |      |
| Rated operational voltage                                 |                      |          | V   | 690                                  |      |
| Rated operational impulse voltage                         |                      |          | kV  | 6                                    |      |
| Maximum fuse size for short-circuit protection $I_n$ (gG) | 10kA                 | A        | 315 |                                      |      |
|   | 15kA                 | A        | 315 |                                      |      |
|   |                      |          | 1s  | kA                                   | 5200 |
| Rated short time current $I_{cw}$                         |                      |          | 1s  | kA                                   |      |
|   |                      |          |     | 5200                                 |      |
| Operational current $I_e$ IEC/EN<br>AC1/AC21A             |                      |          | A   | 315                                  |      |
|   |                      |          |     |                                      |      |
| Rated operational power in AC<br>Three-phase AC-3         | 220/230V             | kW       | 37  |                                      |      |
|   | 380/440V             | kW       | 55  |                                      |      |
|   | 500/690V             | kW       | 69  |                                      |      |
|   |                      |          |     |                                      |      |
|   | Single-phase AC-3    | 110V     | kW  | 11                                   |      |
|   |                      | 220/230V | kW  | 22                                   |      |
|   |                      | 380/440V | kW  | 30                                   |      |
| Rated operational current in DC<br>DC21A                  | 48V                  | A        | 200 |                                      |      |
|   | 60V                  | A        | 200 |                                      |      |
|   | 110V                 | A        | 35  |                                      |      |
|   | 220V                 | A        | 2.5 |                                      |      |
|   | 440V                 | A        | 0.9 |                                      |      |
|   |                      |          | W   | 64.5                                 |      |
| Power dissipation   |                      |          |     | W                                    |      |
| <b>Mechanical features</b>                                |                      |          |     |                                      |      |
| Terminals screw   |                      |          |     | M10                                  |      |
| Tightening torque for terminals max                       |                      |          |     | Nm 10                                |      |
| Conductor size  | AWG - Rigid cable    |          | Max | AWG 1XMCM350                         |      |
|   | AWG - Flexible cable |          | Max | AWG 1XMCM350                         |      |

|                                       |     |                 |       |
|---------------------------------------|-----|-----------------|-------|
| Conductor size (IEC) - Flexible cable | Max | mm <sup>2</sup> | 1X185 |
|---------------------------------------|-----|-----------------|-------|

|                                    |     |                 |       |
|------------------------------------|-----|-----------------|-------|
| Conductor size (IEC) - Rigid cable | Max | mm <sup>2</sup> | 1X185 |
|------------------------------------|-----|-----------------|-------|

|                 |  |        |                   |
|-----------------|--|--------|-------------------|
| Mechanical life |  | cycles | 2X10 <sup>5</sup> |
|-----------------|--|--------|-------------------|

**UL technical data**

|   |      |    |     |
|---|------|----|-----|
| Motor power for direct-on-line control<br>for three-phase motor | 120V | HP | 30  |
|   | 240V | HP | 50  |
|   | 480V | HP | 100 |
|   | 600V | HP | 75  |

|                        |      |    |    |
|------------------------|------|----|----|
| for single-phase motor | 120V | HP | 15 |
|                        | 240V | HP | 30 |

**Ambient conditions**

|                       |     |    |     |
|-----------------------|-----|----|-----|
| Temperature           |     |    |     |
| Operating temperature | min | °C | -25 |
|                       | max | °C | +55 |

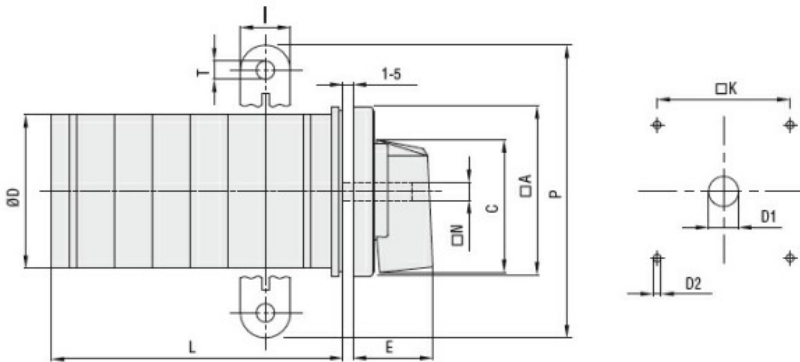
|                     |     |    |     |
|---------------------|-----|----|-----|
| Storage temperature | min | °C | -40 |
|                     | max | °C | +70 |

**Resistance & Protection**

|                   |      |
|-------------------|------|
| Frontal IP degree | IP40 |
|-------------------|------|

|                     |      |
|---------------------|------|
| Terminals IP degree | IP00 |
|---------------------|------|

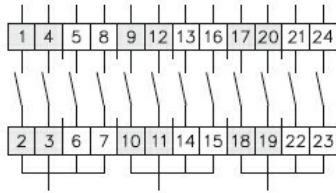
**Dimensions**



| Series | Dimensions |     |     |     |     |    |    |     |    |     |      | L Number of elements ① |     |     |     |     |     |     |     |     |     |     |     |
|--------|------------|-----|-----|-----|-----|----|----|-----|----|-----|------|------------------------|-----|-----|-----|-----|-----|-----|-----|-----|-----|-----|-----|
|        | □A         | C   | ØD  | ØD1 | ØD2 | E  | I  | □K  | □N | P   | ØT   | 1                      | 2   | 3   | 4   | 5   | 6   | 7   | 8   | 9   | 10  | 11  | 12  |
| GN200  | 132        | 104 | 120 | 16  | 5.3 | 56 | 20 | 104 | 10 | 140 | 10.5 | 77                     | 107 | 136 | 166 | 196 | 226 | 284 | 314 | 343 | 373 | 402 | 432 |
| GN315  | 132        | 104 | 120 | 16  | 5.3 | 56 | 20 | 104 | 10 | 145 | 10.5 | 77                     | 107 | 136 | 166 | 196 | 226 | 284 | 314 | 343 | 373 | 402 | 432 |

① For devices with 6 or more elements please consult Technical support, see contact details on inside front cover.

**Wiring diagrams**



|   |   |   |   |   |   |   |   |   |  |   |  |
|---|---|---|---|---|---|---|---|---|--|---|--|
| 1 | X |   |   | X |   |   | X |   |  |   |  |
| 2 |   |   | X |   |   | X |   |   |  | X |  |
| 3 |   |   | X |   |   | X |   |   |  | X |  |
| 4 |   | X |   |   | X |   |   | X |  |   |  |

83 —

87 —

94 —

**Certifications and compliance**

Compliance

- IEC/EN/BS 60947-1

---

- IEC/EN/BS 60947-3

---

- IEC/EN/BS 60947-5-1

---

- UL60947-4-1

Certificates

UR

**ETIM classification**

ETIM 8.0

EC001029 -  
Selector switch,  
complete