

| | | | | |
|---|----------------------|-----|----------|--------------------------------------|
| Product designation | | | | Rotary cam switches |
| Product type designation | | | | GN315 |
| General characteristics | | | | |
| Switching diagram | | | | 84 - Multi-step 1-2-3-4-5 1 pole |
| N° of elements | | | | 3 |
| Mounting form | | | | U - Front mounting with black handle |
| Contact characteristics | | | | |
| Rated insulation voltage U_i | IEC/EN | V | 690 | |
| | UL/CSA | V | 600 | |
| Rated impulse withstand voltage U_{imp} | | | kV | 8 |
| Conventional free air thermal current I_{th} | IEC/EN | A | 315 | |
| | UL/CSA | A | 255 | |
| Rated operational voltage | | | V | 690 |
| Rated operational impulse voltage | | | kV | 6 |
| Maximum fuse size for short-circuit protection I_n (gG) | 10kA | A | 315 | |
| | 15kA | A | 315 | |
| Rated short time current I_{cw} | | | 1s | kA |
| | | | | 5200 |
| Operational current I_e IEC/EN AC1/AC21A | | | A | 315 |
| | | | | |
| Rated operational power in AC Three-phase AC-3 | 220/230V | kW | 37 | |
| | 380/440V | kW | 55 | |
| | 500/690V | kW | 69 | |
| | | | | |
| | Single-phase AC-3 | | | |
| | 110V | kW | 11 | |
| 220/230V | kW | 22 | | |
| 380/440V | kW | 30 | | |
| Rated operational current in DC DC21A | 48V | A | 200 | |
| | 60V | A | 200 | |
| | 110V | A | 35 | |
| | 220V | A | 2.5 | |
| | 440V | A | 0.9 | |
| | | | | |
| Power dissipation | | | W | 64.5 |
| Mechanical features | | | | |
| Terminals screw | | | | M10 |
| Tightening torque for terminals max | | | | Nm 10 |
| Conductor size | AWG - Rigid cable | | | |
| | Max | AWG | 1XMCM350 | |
| Conductor size | AWG - Flexible cable | | | |
| | Max | AWG | 1XMCM350 | |

| | | | |
|---------------------------------------|-----|-----------------|-------|
| Conductor size (IEC) - Flexible cable | Max | mm ² | 1X185 |
|---------------------------------------|-----|-----------------|-------|

| | | | |
|------------------------------------|-----|-----------------|-------|
| Conductor size (IEC) - Rigid cable | Max | mm ² | 1X185 |
|------------------------------------|-----|-----------------|-------|

| | | | |
|-----------------|--|--------|-------------------|
| Mechanical life | | cycles | 2X10 ⁵ |
|-----------------|--|--------|-------------------|

UL technical data

| | | | |
|---|------|----|-----|
| Motor power for direct-on-line control for three-phase motor | 120V | HP | 30 |
| | 240V | HP | 50 |
| | 480V | HP | 100 |
| | 600V | HP | 75 |

| | | | |
|------------------------|------|----|----|
| for single-phase motor | 120V | HP | 15 |
| | 240V | HP | 30 |

Ambient conditions

| | | | |
|-------------|-----------------------|----|-----|
| Temperature | Operating temperature | | |
| | min | °C | -25 |
| | max | °C | +55 |

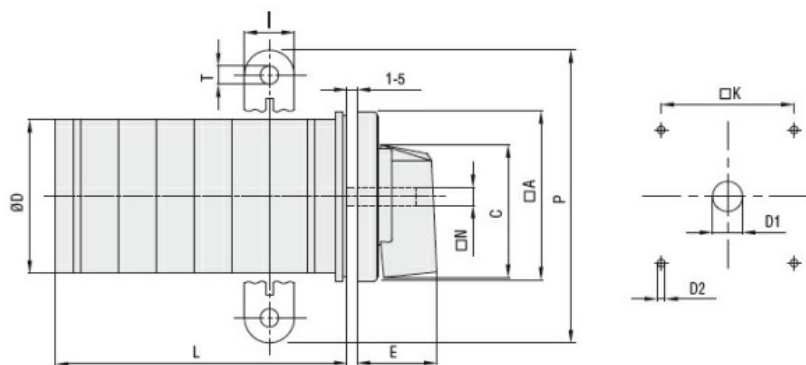
| | | | |
|--|---------------------|----|-----|
| | Storage temperature | | |
| | min | °C | -40 |
| | max | °C | +70 |

Resistance & Protection

| | |
|-------------------|------|
| Frontal IP degree | IP40 |
|-------------------|------|

| | |
|---------------------|------|
| Terminals IP degree | IP00 |
|---------------------|------|

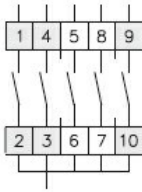
Dimensions



| Series | Dimensions | | | | | | | | | | | L Number of elements ① | | | | | | | | | | | |
|--------|------------|-----|-----|-----|-----|----|----|-----|----|-----|------|------------------------|-----|-----|-----|-----|-----|-----|-----|-----|-----|-----|-----|
| | □A | C | ØD | ØD1 | ØD2 | E | I | □K | □N | P | ØT | 1 | 2 | 3 | 4 | 5 | 6 | 7 | 8 | 9 | 10 | 11 | 12 |
| GN200 | 132 | 104 | 120 | 16 | 5.3 | 56 | 20 | 104 | 10 | 140 | 10.5 | 77 | 107 | 136 | 166 | 196 | 226 | 284 | 314 | 343 | 373 | 402 | 432 |
| GN315 | 132 | 104 | 120 | 16 | 5.3 | 56 | 20 | 104 | 10 | 145 | 10.5 | 77 | 107 | 136 | 166 | 196 | 226 | 284 | 314 | 343 | 373 | 402 | 432 |

① For devices with 6 or more elements please consult Technical support, see contact details on inside front cover.

Wiring diagrams



| | | | | |
|---|---|---|---|---|
| 1 | X | | | |
| 2 | | | X | |
| 3 | | | | X |
| 4 | | X | | |
| 5 | | | X | |

84

Certifications and compliance

Compliance

CSA C22.2 n° 14

IEC/EN/BS 60947-1

IEC/EN/BS 60947-3

IEC/EN/BS 60947-5-1

IEC/EN/BS 61058-1

UL60947-4-1

Certificates

cULus

EAC

ETIM classification

ETIM 8.0

EC001029 -
Selector switch,
complete