

Product designation				Rotary cam switches
Product type designation				GN315
General characteristics				
Switching diagram				26 - 3-phase motor reversing switch with spring return
N° of elements				3
Mounting form				U - Front mounting with black handle
Contact characteristics				
Rated insulation voltage U_i	IEC/EN	V	690	
	UL/CSA	V	600	
Rated impulse withstand voltage U_{imp}		kV	8	
Conventional free air thermal current I_{th}	IEC/EN	A	315	
	UL/CSA	A	255	
Rated operational voltage		V	690	
Rated operational impulse voltage		kV	6	
Maximum fuse size for short-circuit protection I_n (gG)	10kA	A	315	
	15kA	A	315	
Rated short time current I_{cw}		1s	kA	5200
	Operational current I_e IEC/EN AC1/AC21A			A 315
Rated operational power in AC Three-phase AC-3	220/230V	kW	37	
	380/440V	kW	55	
	500/690V	kW	69	
	Single-phase AC-3			
	110V	kW	11	
	220/230V	kW	22	
Rated operational current in DC DC21A	380/440V	kW	30	
	48V	A	200	
	60V	A	200	
	110V	A	35	
Power dissipation	220V	A	2.5	
	440V	A	0.9	
		W	64.5	
Mechanical features				
Terminals screw				M10
Tightening torque for terminals max				Nm 10
Conductor size AWG - Rigid cable				
	Max	AWG	1XMCM350	

AWG - Flexible cable

Max AWG 1XMCM350

Conductor size (IEC) - Flexible cable

Max mm² 1X185

Conductor size (IEC) - Rigid cable

Max mm² 1X185

Mechanical life

cycles 2X10⁵

UL technical data

Motor power for direct-on-line control

for three-phase motor

120V	HP	30
240V	HP	50
480V	HP	100
600V	HP	75

for single-phase motor

120V	HP	15
240V	HP	30

Ambient conditions

Temperature

Operating temperature

min	°C	-25
max	°C	+55

Storage temperature

min	°C	-40
max	°C	+70

Resistance & Protection

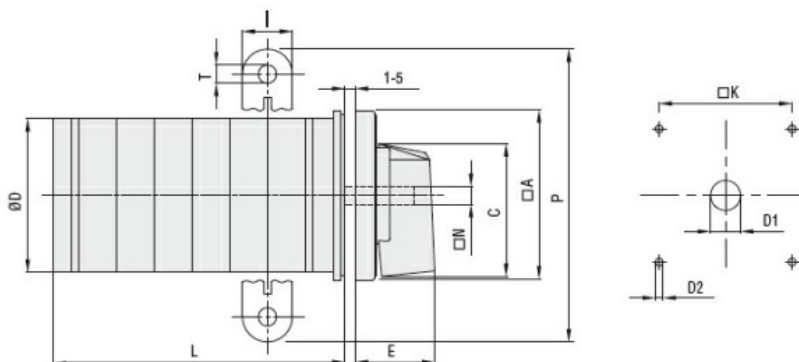
Frontal IP degree

IP40

Terminals IP degree

IP00

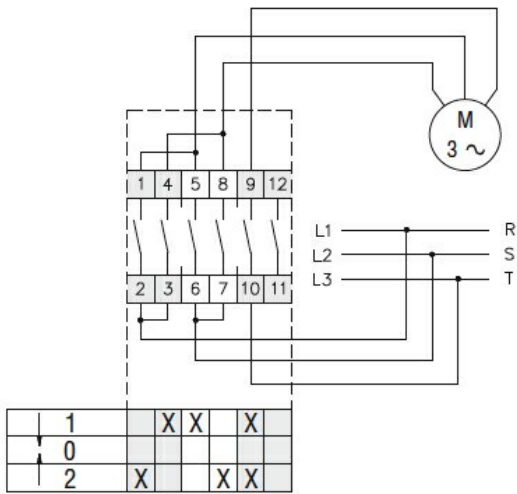
Dimensions



Series	Dimensions											L Number of elements ①											
	□A	C	ØD	ØD1	ØD2	E	I	□K	□N	P	ØT	1	2	3	4	5	6	7	8	9	10	11	12
GN200	132	104	120	16	5.3	56	20	104	10	140	10.5	77	107	136	166	196	226	284	314	343	373	402	432
GN315	132	104	120	16	5.3	56	20	104	10	145	10.5	77	107	136	166	196	226	284	314	343	373	402	432

① For devices with 6 or more elements please consult Technical support, see contact details on inside front cover.

Wiring diagrams



Certifications and compliance

Compliance

IEC/EN/BS 60947-1
IEC/EN/BS 60947-3
IEC/EN/BS 60947-5-1
UL60947-4-1

Certificates

UR

ETIM classification

ETIM 8.0

EC001029 -
Selector switch,
complete