

| | | | | |
|-----------------------------------------------------------|----------------------|------|-----|-----------------------------------------------|
| Product designation | | | | Rotary cam switches |
| Product type designation | | | | GN315 |
| General characteristics | | | | |
| Switching diagram | | | | 20 - Dahlander motor 2-speed reversing switch |
| N° of elements | | | | 6 |
| Mounting form | | | | O - Rear mounting with black handle |
| Contact characteristics | | | | |
| Rated insulation voltage U_i | IEC/EN | V | 690 | |
| | UL/CSA | V | 600 | |
| Rated impulse withstand voltage U_{imp} | | | kV | 8 |
| Conventional free air thermal current I_{th} | IEC/EN | A | 315 | |
| | UL/CSA | A | 255 | |
| Rated operational voltage | | | V | 690 |
| Rated operational impulse voltage | | | kV | 6 |
| Maximum fuse size for short-circuit protection I_n (gG) | 10kA | A | 315 | |
| | 15kA | A | 315 | |
| Rated short time current I_{cw} | | | 1s | kA |
| | | | | 5200 |
| Operational current I_e IEC/EN AC1/AC21A | | | A | 315 |
| | | | | |
| Rated operational power in AC Three-phase AC-3 | 220/230V | kW | 37 | |
| | 380/440V | kW | 55 | |
| | 500/690V | kW | 69 | |
| | | | | |
| | Single-phase AC-3 | 110V | kW | 11 |
| | 220/230V | kW | 22 | |
| | 380/440V | kW | 30 | |
| Rated operational current in DC DC21A | 48V | A | 200 | |
| | 60V | A | 200 | |
| | 110V | A | 35 | |
| | 220V | A | 2.5 | |
| | 440V | A | 0.9 | |
| | | | | |
| Power dissipation | | | W | 64.5 |
| Mechanical features | | | | |
| Terminals screw | | | | M10 |
| Tightening torque for terminals max | | | | Nm 10 |
| Conductor size | AWG - Rigid cable | | Max | AWG 1XMCM350 |
| | AWG - Flexible cable | | | |

| | | | |
|---------------------------------------|-----|-----------------|-------------------|
| Conductor size (IEC) - Flexible cable | Max | AWG | 1XMCM350 |
| Conductor size (IEC) - Rigid cable | Max | mm ² | 1X185 |
| Mechanical life | Max | mm ² | 1X185 |
| | | cycles | 2X10 ⁵ |

UL technical data

| | | | |
|-----------------------------------------------------------------|------|----|-----|
| Motor power for direct-on-line control for three-phase motor | 120V | HP | 30 |
| | 240V | HP | 50 |
| | 480V | HP | 100 |
| | 600V | HP | 75 |
| for single-phase motor | 120V | HP | 15 |
| | 240V | HP | 30 |

Ambient conditions

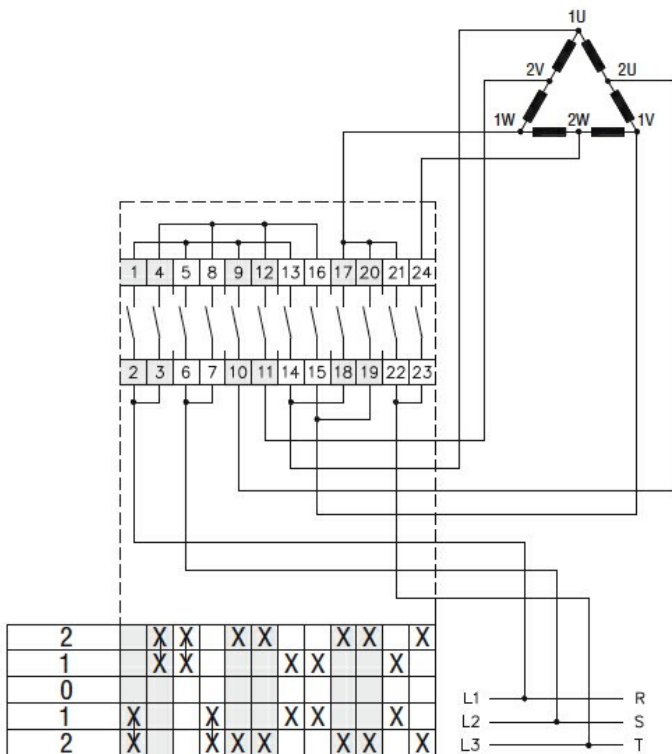
| | | | |
|-----------------------|-----|----|-----|
| Temperature | | | |
| Operating temperature | min | °C | -25 |
| | max | °C | +55 |
| Storage temperature | min | °C | -40 |
| | max | °C | +70 |

Resistance & Protection

| | |
|---------------------|------|
| Frontal IP degree | IP40 |
| Terminals IP degree | IP00 |

Dimensions

Wiring diagrams



Certifications and compliance

Compliance

IEC/EN/BS 60947-1
IEC/EN/BS 60947-3
IEC/EN/BS 60947-5-1
UL60947-4-1

Certificates

UR

ETIM classification

ETIM 8.0

EC001029 -
Selector switch,
complete