

Product designation				Enclosed rotary cam switch
Product type designation				GN315
General characteristics				
Switching diagram				12 - Star-delta motor starter switch
N° of elements				4
Mounting form				L - Metal enclosure with black handle
Contact characteristics				
Rated insulation voltage U_i	IEC/EN	V	690	
	UL/CSA	V	600	
Rated impulse withstand voltage U_{imp}			kV	8
Conventional free air thermal current I_{th}	IEC/EN	A	315	
	UL/CSA	A	255	
Rated operational voltage			V	690
Rated operational impulse voltage			kV	6
Maximum fuse size for short-circuit protection I_n (gG)	10kA	A	315	
	15kA	A	315	
Rated short time current I_{cw}			1s	kA
				5200
Operational current I_e IEC/EN AC1/AC21A			A	315
Rated operational power in AC Three-phase AC-3	220/230V	kW	37	
	380/440V	kW	55	
	500/690V	kW	69	
	Single-phase AC-3			
	110V	kW	11	
220/230V	kW	22		
380/440V	kW	30		
Rated operational current in DC DC21A	48V	A	200	
	60V	A	200	
	110V	A	35	
	220V	A	2.5	
	440V	A	0.9	
Power dissipation			W	64.5
Mechanical features				
Terminals screw				M10
Tightening torque for terminals max				Nm 10
Conductor size	AWG - Rigid cable		Max	AWG 1XMCM350
	AWG - Flexible cable			

ENCLOSED ROTARY CAM SWITCH GN SERIES, STAR-DELTA MOTOR STARTER SWITCH
315A IN METAL ENCLOSURE 250X316MM WITH BLACK HANDLE

Conductor size (IEC) - Flexible cable	Max	AWG	1XMCM350
---------------------------------------	-----	-----	----------

Conductor size (IEC) - Rigid cable	Max	mm ²	1X185
------------------------------------	-----	-----------------	-------

Mechanical life	Max	mm ²	1X185
		cycles	2X10 ⁵

UL technical data

Motor power for direct-on-line control

for three-phase motor

120V	HP	30
240V	HP	50
480V	HP	100
600V	HP	75

for single-phase motor

120V	HP	15
240V	HP	30

Ambient conditions

Temperature

Operating temperature

min	°C	-25
max	°C	+55

Storage temperature

min	°C	-40
max	°C	+70

Resistance & Protection

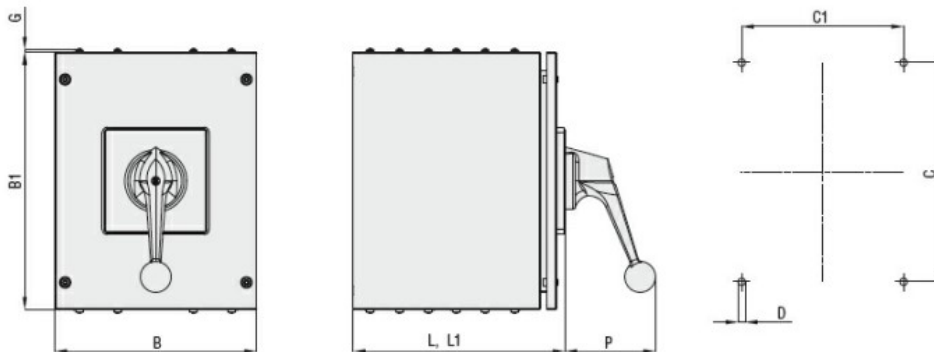
Frontal IP degree

IP54

Terminals IP degree

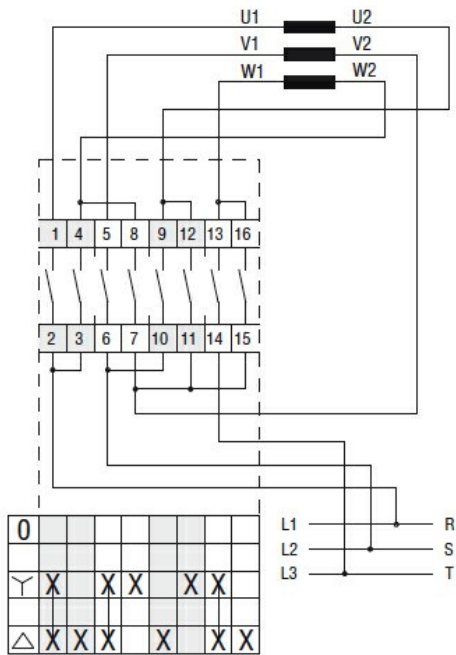
IP00

Dimensions



Series	Enclosure size	Number of elements		Dimensions									Protection degree
		L	L1	L	L1	B	B1	C	C1	D	G	P	
GN200	250x316	1 - 3	4 - 6	162	252	250	316	270	200	9	4.5	98	IP54
GN315		1 - 3	4 - 6	162	252	250	316	270	200	9	4.5	98	IP54

Wiring diagrams



Certifications and compliance

Compliance

IEC/EN/BS 60947-1
IEC/EN/BS 60947-3
IEC/EN/BS 60947-5-1

ETIM classification

ETIM 8.0

EC001029 -
Selector switch,
complete