



Rotary cam switches  
GN200

Product designation

Product type designation

**General characteristics**

Switching diagram

N° of elements

Mounting form

92 - ON/OFF  
switch 4 poles  
2  
O - Rear  
mounting with  
black handle

**Contact characteristics**

Rated insulation voltage  $U_i$

|        |   |     |
|--------|---|-----|
| IEC/EN | V | 690 |
| UL/CSA | V | 600 |

Rated impulse withstand voltage  $U_{imp}$

|    |   |
|----|---|
| kV | 8 |
|----|---|

Conventional free air thermal current  $I_{th}$

|        |   |     |
|--------|---|-----|
| IEC/EN | A | 200 |
| UL/CSA | A | 200 |

Rated operational voltage

|   |     |
|---|-----|
| V | 690 |
|---|-----|

Rated operational impulse voltage

|    |   |
|----|---|
| kV | 6 |
|----|---|

Maximum fuse size for short-circuit protection  $I_n$  (gG)

|      |   |     |
|------|---|-----|
| 10kA | A | 200 |
| 15kA | A | 200 |

Rated short time current  $I_{cw}$

|    |    |      |
|----|----|------|
| 1s | kA | 3300 |
|----|----|------|

Operational current  $I_e$  IEC/EN

AC1/AC21A

|   |     |
|---|-----|
| A | 200 |
|---|-----|

Rated operational power in AC

Three-phase AC-3

|          |    |      |
|----------|----|------|
| 220/230V | kW | 27.5 |
| 380/440V | kW | 47   |

Rated operational current in DC

DC21A

|      |   |     |
|------|---|-----|
| 48V  | A | 200 |
| 60V  | A | 200 |
| 110V | A | 35  |
| 220V | A | 2.5 |
| 440V | A | 0.9 |

Power dissipation

|   |    |
|---|----|
| W | 26 |
|---|----|

**Mechanical features**

Terminals screw

M10

Tightening torque for terminals max

|    |    |
|----|----|
| Nm | 10 |
|----|----|

Conductor size

AWG - Rigid cable

|     |     |     |
|-----|-----|-----|
| Max | AWG | 1X3 |
|-----|-----|-----|

|                                       |     |                 |                   |
|---------------------------------------|-----|-----------------|-------------------|
| AWG - Flexible cable                  | Max | AWG             | 0                 |
| Conductor size (IEC) - Flexible cable | Max | mm <sup>2</sup> | 1X95              |
| Conductor size (IEC) - Rigid cable    | Max | mm <sup>2</sup> | 1X95              |
| Mechanical life                       |     | cycles          | 2X10 <sup>5</sup> |

**UL technical data**

|   |      |    |     |
|---|------|----|-----|
| Motor power for direct-on-line control<br>for three-phase motor | 120V | HP | 30  |
|   | 240V | HP | 50  |
|   | 480V | HP | 100 |
|   | 600V | HP | 75  |
| for single-phase motor  | 120V | HP | 15  |
|   | 240V | HP | 30  |

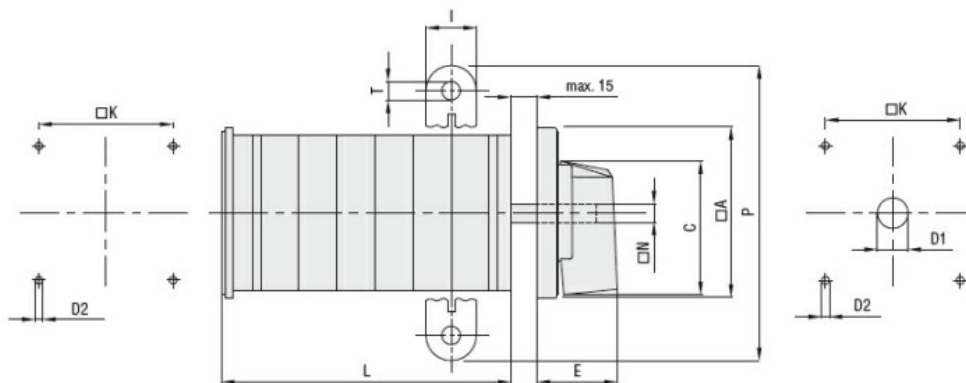
**Ambient conditions**

|             |                       |    |     |
|-------------|-----------------------|----|-----|
| Temperature | Operating temperature |    |     |
|             | min                   | °C | -25 |
|             | max                   | °C | +55 |
|             | Storage temperature   |    |     |
|             | min                   | °C | -40 |
|             | max                   | °C | +70 |

**Resistance & Protection**

|                     |      |
|---------------------|------|
| Frontal IP degree   | IP40 |
| Terminals IP degree | IP00 |

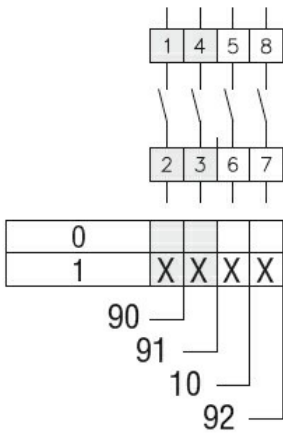
**Dimensions**



| Series | Dimensions |     |     |    |    |     |    |     |      | L Number of elements ① |     |     |     |     |     |     |     |     |     |     |     |
|--------|------------|-----|-----|----|----|-----|----|-----|------|------------------------|-----|-----|-----|-----|-----|-----|-----|-----|-----|-----|-----|
|        | A          | C   | ØD2 | E  | I  | K   | N  | P   | ØT   | 1                      | 2   | 3   | 4   | 5   | 6   | 7   | 8   | 9   | 10  | 11  | 12  |
| GN200  | 132        | 104 | 5.3 | 56 | 20 | 104 | 10 | 140 | 10.5 | 77                     | 107 | 136 | 166 | 196 | 226 | 284 | 314 | 343 | 373 | 402 | 432 |
| GN315  | 132        | 104 | 5.3 | 56 | 20 | 104 | 10 | 145 | 10.5 | 77                     | 107 | 136 | 166 | 196 | 226 | 284 | 314 | 343 | 373 | 402 | 432 |

① For devices with 6 or more elements please contact please consult Technical support, see contact details on inside front cover.

**Wiring diagrams**



**Certifications and compliance**

Compliance

|                     |
|---------------------|
| IEC/EN/BS 60947-1   |
| IEC/EN/BS 60947-3   |
| IEC/EN/BS 60947-5-1 |
| UL60947-4-1         |

Certificates

UR

**ETIM classification**

ETIM 8.0

EC001029 -  
Selector switch,  
complete