

Product designation				Rotary cam switches
Product type designation				GN200
General characteristics				
Switching diagram				53 - Changeover switch 3 poles - 2 speed motor starting with separate windings
N° of elements				3
Mounting form				O - Rear mounting with black handle
Contact characteristics				
Rated insulation voltage Ui	IEC/EN	V	690	
	UL/CSA	V	600	
Rated impulse withstand voltage Uimp			kV	8
Conventional free air thermal current Ith	IEC/EN	A	200	
	UL/CSA	A	200	
Rated operational voltage			V	690
Rated operational impulse voltage			kV	6
Maximum fuse size for short-circuit protection In (gG)	10kA	A	200	
	15kA	A	200	
Rated short time current Icw			1s	kA
				3300
Operational current Ie IEC/EN AC1/AC21A			A	200
Rated operational power in AC Three-phase AC-3	220/230V	kW	27.5	
	380/440V	kW	47	
Rated operational current in DC DC21A	48V	A	200	
	60V	A	200	
	110V	A	35	
	220V	A	2.5	
	440V	A	0.9	
Power dissipation			W	26
Mechanical features				
Terminals screw				M10
Tightening torque for terminals max				Nm 10
Conductor size AWG - Rigid cable	Max	AWG	1X3	
AWG - Flexible cable	Max	AWG	0	
Conductor size (IEC) - Flexible cable	Max	mm ²	1X95	

Conductor size (IEC) - Rigid cable

	Max	mm ²	1X95
Mechanical life		cycles	2X10 ⁵

UL technical data

Motor power for direct-on-line control

for three-phase motor

120V	HP	30
240V	HP	50
480V	HP	100
600V	HP	75

for single-phase motor

120V	HP	15
240V	HP	30

Ambient conditions

Temperature

Operating temperature

min	°C	-25
max	°C	+55

Storage temperature

min	°C	-40
max	°C	+70

Resistance & Protection

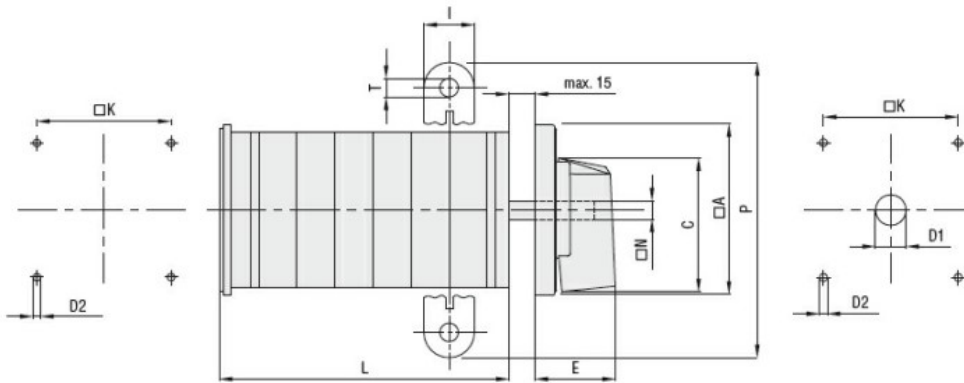
Frontal IP degree

IP40

Terminals IP degree

IP00

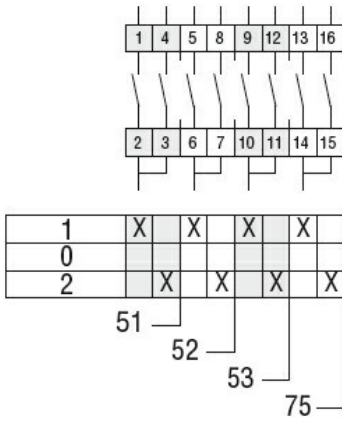
Dimensions



Series	Dimensions									L Number of elements ①											
	□A	C	ØD2	E	I	□K	□N	P	ØT	1	2	3	4	5	6	7	8	9	10	11	12
GN200	132	104	5.3	56	20	104	10	140	10.5	77	107	136	166	196	226	284	314	343	373	402	432
GN315	132	104	5.3	56	20	104	10	145	10.5	77	107	136	166	196	226	284	314	343	373	402	432

① For devices with 6 or more elements please contact please consult Technical support, see contact details on inside front cover.

Wiring diagrams



Certifications and compliance

Compliance

IEC/EN/BS 60947-1
IEC/EN/BS 60947-3
IEC/EN/BS 60947-5-1
UL60947-4-1

Certificates

UR

ETIM classification

ETIM 8.0

EC001029 -
Selector switch,
complete