

Product designation				Rotary cam switches
Product type designation				GN200
<b>General characteristics</b>				
Switching diagram				26 - 3-phase motor reversing switch with spring return
N° of elements				3
Mounting form				U - Front mounting with black handle
<b>Contact characteristics</b>				
Rated insulation voltage Ui	IEC/EN	V	690	
	UL/CSA	V	600	
Rated impulse withstand voltage Uimp		kV	8	
Conventional free air thermal current Ith	IEC/EN	A	200	
	UL/CSA	A	200	
Rated operational voltage		V	690	
Rated operational impulse voltage		kV	6	
Maximum fuse size for short-circuit protection In (gG)	10kA	A	200	
	15kA	A	200	
Rated short time current Icw		1s	kA	3300
Operational current Ie IEC/EN AC1/AC21A		A	200	
Rated operational power in AC Three-phase AC-3	220/230V	kW	27.5	
	380/440V	kW	47	
Rated operational current in DC DC21A	48V	A	200	
	60V	A	200	
	110V	A	35	
	220V	A	2.5	
	440V	A	0.9	
Power dissipation		W	26	
<b>Mechanical features</b>				
Terminals screw				M10
Tightening torque for terminals max				Nm 10
Conductor size AWG - Rigid cable	Max	AWG	1X3	
AWG - Flexible cable	Max	AWG	0	
Conductor size (IEC) - Flexible cable	Max	mm <sup>2</sup>	1X95	
Conductor size (IEC) - Rigid cable				

Mechanical life	Max	mm <sup>2</sup>	1X95
		cycles	2X10 <sup>5</sup>

**UL technical data**

Motor power for direct-on-line control			
for three-phase motor	120V	HP	30
	240V	HP	50
	480V	HP	100
	600V	HP	75
for single-phase motor	120V	HP	15
	240V	HP	30

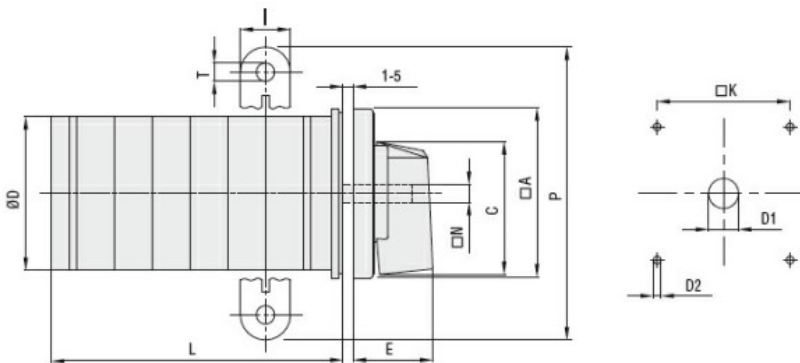
**Ambient conditions**

Temperature			
Operating temperature	min	°C	-25
	max	°C	+55
Storage temperature	min	°C	-40
	max	°C	+70

**Resistance & Protection**

Frontal IP degree	IP40
Terminals IP degree	IP00

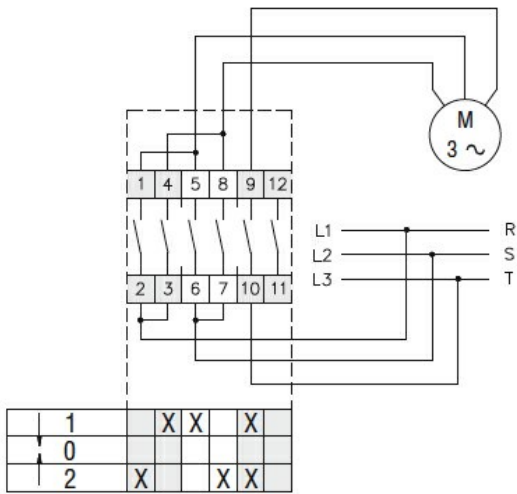
**Dimensions**



Series	Dimensions											L Number of elements ①											
	□A	C	ØD	ØD1	ØD2	E	I	□K	□N	P	ØT	1	2	3	4	5	6	7	8	9	10	11	12
GN200	132	104	120	16	5.3	56	20	104	10	140	10.5	77	107	136	166	196	226	284	314	343	373	402	432
GN315	132	104	120	16	5.3	56	20	104	10	145	10.5	77	107	136	166	196	226	284	314	343	373	402	432

① For devices with 6 or more elements please consult Technical support, see contact details on inside front cover.

**Wiring diagrams**



**Certifications and compliance**

Compliance

IEC/EN/BS 60947-1  
IEC/EN/BS 60947-3  
IEC/EN/BS 60947-5-1  
UL60947-4-1

Certificates

UR

**ETIM classification**

ETIM 8.0

EC001029 -  
Selector switch,  
complete