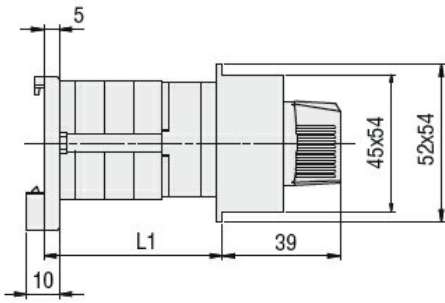


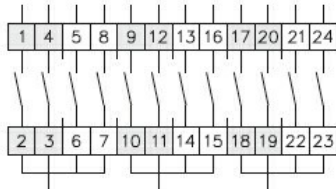
Product designation				Rotary cam switches
Product type designation				GF20
General characteristics				
Switching diagram				87 - Multi-step 1-2-3-4 2 poles
N° of elements				4
Mounting form				O48 - Modular service cover for 35mm din rail mounting with black handle
Contact characteristics				
Rated insulation voltage Ui	IEC/EN	V	480	
	UL/CSA	V	240	
Rated impulse withstand voltage Uimp			kV	4
Conventional free air thermal current Ith	IEC/EN	A	20	
	UL/CSA	A	15	
Rated operational voltage			V	480
Rated operational impulse voltage			kV	4
Maximum fuse size for short-circuit protection In (gG)	10kA	A	20	
	15kA	A	20	
	25kA	A	20	
Rated short time current Icw			1s	kA
				250
Conductivity				10/5 mA/V
Operational current Ie IEC/EN	AC1/AC21A		A	20
	AC15			
		110V	A	10
		220/230V	A	8
		380/400V	A	6
Rated operational power in AC	Three-phase AC-3			
			220/230V	kW
			380/440V	kW
				3
				5
	Single-phase AC-3			
			110V	kW
			220/230V	kW
			380/440V	kW
				0.5
				1.5
				2
Three-phase AC23A				
		220/230V	kW	
		380/440V	kW	
			4	
			7.5	
Single-phase AC23A				
		110V	kW	
		220/230V	kW	
		380/440V	kW	
			0.75	
			2	
			2.5	
Rated operational current in DC	DC21A			
			48V	A
				20

		60V	A	20
		110V	A	4
		220V	A	0.7
		440V	A	0.2
<hr/>				
DC13		24V	A	6
		48V	A	6
		60V	A	3
		110V	A	1
		220V	A	0.4
		440V	A	0.15
<hr/>				
Power dissipation			W	0.8
Mechanical features				
Terminals screw				M3
Tightening torque for terminals max			Nm	0.5
<hr/>				
Conductor size				
	AWG - Rigid cable			
		min	AWG	20
		Max	AWG	12
<hr/>				
	AWG - Flexible cable			
		min	AWG	20
		Max	AWG	12
<hr/>				
	Conductor size (IEC) - Flexible cable			
		min	mm ²	0.5
		Max	mm ²	2.5
<hr/>				
	Conductor size (IEC) - Rigid cable			
		min	mm ²	0.5
		Max	mm ²	2.5
<hr/>				
Mechanical life			cycles	1x10 ⁶
UL technical data				
Motor power for direct-on-line control				
	for three-phase motor			
		240V	HP	3
<hr/>				
	for single-phase motor			
		240V	HP	1
<hr/>				
Ambient conditions				
Temperature				
	Operating temperature			
		min	°C	-25
		max	°C	+55
<hr/>				
	Storage temperature			
		min	°C	-40
		max	°C	+70
<hr/>				
Resistance & Protection				
Frontal IP degree				IP40
Terminals IP degree				IP20
<hr/>				
Dimensions				



Series	L1		
	1	2	3
GF20	40	53.5	67

Wiring diagrams



1	X			X			X		
2			X			X			X
3			X			X			X
4		X			X			X	

83 — 87 — 94

Certifications and compliance

Compliance

- CSA C22.2 n° 14
- IEC/EN/BS 60947-1
- IEC/EN/BS 60947-3
- IEC/EN/BS 60947-5-1
- UL60947-4-1

Certificates

- cULus
- EAC

ETIM classification

ETIM 8.0

EC001029 -
Selector switch,
complete