

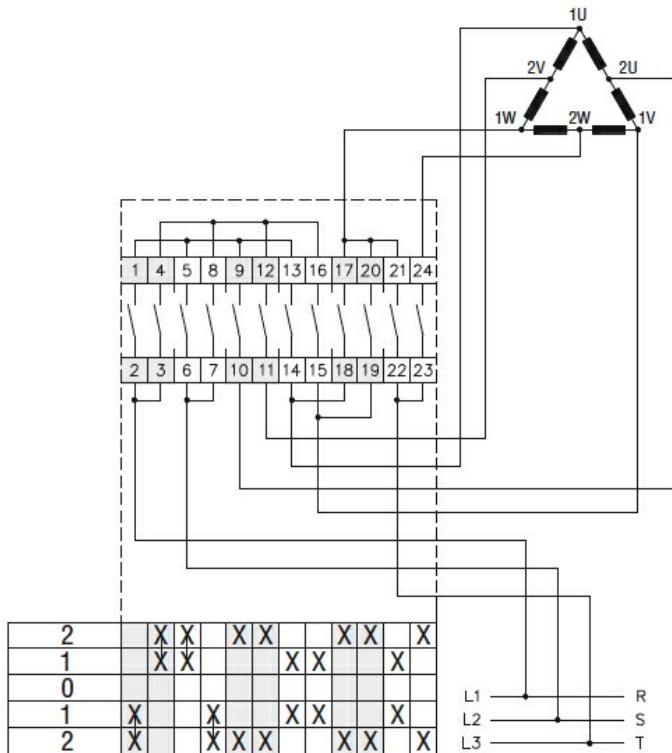
Product designation				Rotary cam switches
Product type designation				GF20
<b>General characteristics</b>				
Switching diagram				20 - Dahlander motor 2-speed reversing switch
N° of elements				6
Mounting form				U47 - Snap on front mounting with black handle for hole diam. 22mm finxing
<b>Contact characteristics</b>				
Rated insulation voltage $U_i$	IEC/EN	V	480	
	UL/CSA	V	240	
Rated impulse withstand voltage $U_{imp}$		kV	4	
Conventional free air thermal current $I_{th}$	IEC/EN	A	20	
	UL/CSA	A	15	
Rated operational voltage		V	480	
Rated operational impulse voltage		kV	4	
Maximum fuse size for short-circuit protection $I_n$ (gG)	10kA	A	20	
	15kA	A	20	
	25kA	A	20	
Rated short time current $I_{cw}$	1s	kA	250	
				10/5 mA/V
Conductivity				10/5 mA/V
Operational current $I_e$ IEC/EN	AC1/AC21A			A 20
	AC15			
Rated operational power in AC	Three-phase AC-3			
	220/230V	kW	3	
	380/440V	kW	5	
	Single-phase AC-3			
	110V	kW	0.5	
	220/230V	kW	1.5	
380/440V	kW	2		
Three-phase AC23A	220/230V	kW	4	
	380/440V	kW	7.5	
Single-phase AC23A	110V	kW	0.75	
	220/230V	kW	2	
	380/440V	kW	2.5	
Rated operational current in DC	DC21A			

	48V	A	20
	60V	A	20
	110V	A	4
	220V	A	0.7
	440V	A	0.2
<hr/>			
DC13	24V	A	6
	48V	A	6
	60V	A	3
	110V	A	1
	220V	A	0.4
	440V	A	0.15
<hr/>			
Power dissipation		W	0.8
<b>Mechanical features</b>			
Terminals screw			M3
Tightening torque for terminals max		Nm	0.5
<hr/>			
Conductor size			
AWG - Rigid cable			
	min	AWG	20
	Max	AWG	12
<hr/>			
AWG - Flexible cable			
	min	AWG	20
	Max	AWG	12
<hr/>			
Conductor size (IEC) - Flexible cable			
	min	mm <sup>2</sup>	0.5
	Max	mm <sup>2</sup>	2.5
<hr/>			
Conductor size (IEC) - Rigid cable			
	min	mm <sup>2</sup>	0.5
	Max	mm <sup>2</sup>	2.5
<hr/>			
Mechanical life		cycles	1x10 <sup>6</sup>
<b>UL technical data</b>			
Motor power for direct-on-line control			
for three-phase motor			
	240V	HP	3
<hr/>			
for single-phase motor			
	240V	HP	1
<hr/>			
<b>Ambient conditions</b>			
Temperature			
Operating temperature			
	min	°C	-25
	max	°C	+55
<hr/>			
Storage temperature			
	min	°C	-40
	max	°C	+70
<hr/>			
<b>Resistance &amp; Protection</b>			
Frontal IP degree			IP40
Terminals IP degree			IP20
<hr/>			
<b>Dimensions</b>			



Series	Dimensions		L			
	□A	E	1	2	3...8	
GF10	30	18.5	60	72	84	144
GF20	48	26.5	56	69.5	83	150.5

### Wiring diagrams



### Certifications and compliance

#### Compliance

CSA C22.2 n° 14  
IEC/EN/BS 60947-1  
IEC/EN/BS 60947-3  
IEC/EN/BS 60947-5-1  
UL60947-4-1

#### Certificates

cULus  
EAC

### ETIM classification

ETIM 8.0

EC001029 -  
Selector switch,  
complete