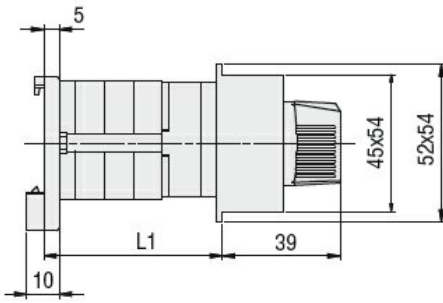


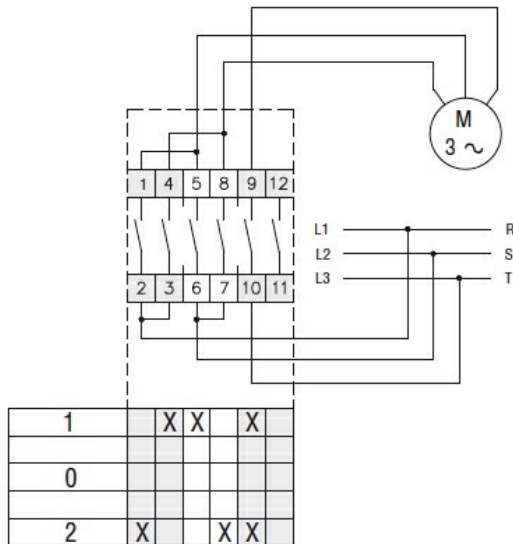
Product designation				Rotary cam switches
Product type designation				GF20
General characteristics				
Switching diagram				11 - 3-phase motor reversing switch
N° of elements				3
Mounting form				O48 - Modular service cover for 35mm din rail mounting with black handle
Contact characteristics				
Rated insulation voltage U_i	IEC/EN	V	480	
	UL/CSA	V	240	
Rated impulse withstand voltage U_{imp}		kV	4	
Conventional free air thermal current I_{th}	IEC/EN	A	20	
	UL/CSA	A	15	
Rated operational voltage		V	480	
Rated operational impulse voltage		kV	4	
Maximum fuse size for short-circuit protection I_n (gG)	10kA	A	20	
	15kA	A	20	
	25kA	A	20	
Rated short time current I_{cw}		1s	kA	250
				10/5 mA/V
Conductivity				10/5 mA/V
Operational current I_e IEC/EN	AC1/AC21A			A 20
	AC15			
	110V	A	10	
	220/230V	A	8	
	380/400V	A	6	
Rated operational power in AC	Three-phase AC-3			
	220/230V	kW	3	
	380/440V	kW	5	
	Single-phase AC-3			
	110V	kW	0.5	
	220/230V	kW	1.5	
	380/440V	kW	2	
	Three-phase AC23A			
	220/230V	kW	4	
	380/440V	kW	7.5	
	Single-phase AC23A			
	110V	kW	0.75	
220/230V	kW	2		
380/440V	kW	2.5		
Rated operational current in DC	DC21A			

	48V	A	20
	60V	A	20
	110V	A	4
	220V	A	0.7
	440V	A	0.2
<hr/>			
DC13	24V	A	6
	48V	A	6
	60V	A	3
	110V	A	1
	220V	A	0.4
	440V	A	0.15
<hr/>			
Power dissipation		W	0.8
Mechanical features			
Terminals screw			M3
Tightening torque for terminals max		Nm	0.5
<hr/>			
Conductor size			
AWG - Rigid cable			
	min	AWG	20
	Max	AWG	12
<hr/>			
AWG - Flexible cable			
	min	AWG	20
	Max	AWG	12
<hr/>			
Conductor size (IEC) - Flexible cable			
	min	mm ²	0.5
	Max	mm ²	2.5
<hr/>			
Conductor size (IEC) - Rigid cable			
	min	mm ²	0.5
	Max	mm ²	2.5
<hr/>			
Mechanical life		cycles	1x10 ⁶
UL technical data			
Motor power for direct-on-line control			
for three-phase motor			
	240V	HP	3
<hr/>			
for single-phase motor			
	240V	HP	1
<hr/>			
Ambient conditions			
Temperature			
Operating temperature			
	min	°C	-25
	max	°C	+55
<hr/>			
Storage temperature			
	min	°C	-40
	max	°C	+70
<hr/>			
Resistance & Protection			
Frontal IP degree			IP40
Terminals IP degree			IP20
<hr/>			
Dimensions			



Series	L1		
	1	2	3
GF20	40	53.5	67

Wiring diagrams



Certifications and compliance

Compliance

CSA C22.2 n° 14
IEC/EN/BS 60947-1
IEC/EN/BS 60947-3
IEC/EN/BS 60947-5-1
UL60947-4-1

Certificates

cULus
EAC

ETIM classification

ETIM 8.0

EC001029 -
Selector switch,
complete