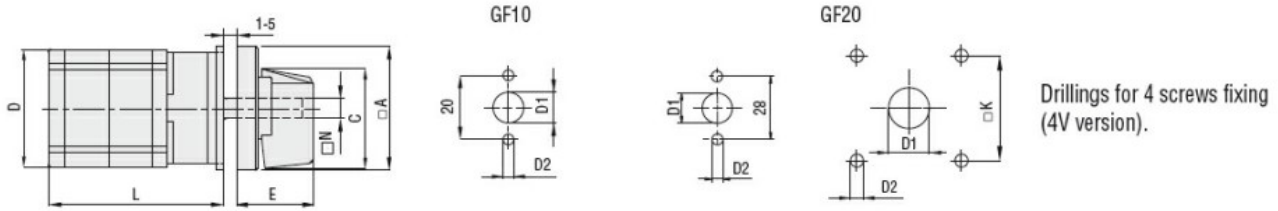


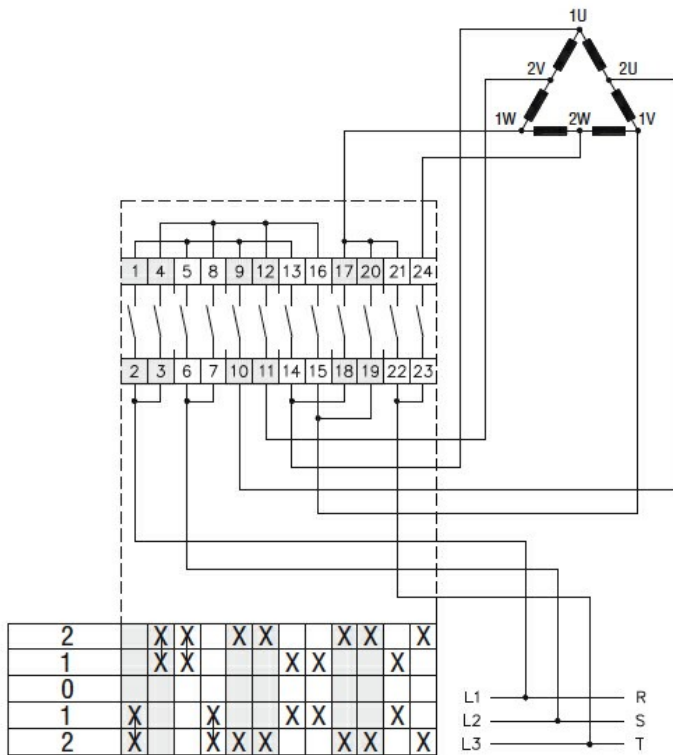
Product designation				Rotary cam switches	
Product type designation				GF10	
<b>General characteristics</b>					
Switching diagram				20 - Dahlander motor 2-speed reversing switch	
N° of elements				6	
Mounting form				U - Front mounting with black handle	
<b>Contact characteristics</b>					
Rated insulation voltage $U_i$	IEC/EN	V	480		
	UL/CSA	V	240		
Rated impulse withstand voltage $U_{imp}$		kV	4		
Conventional free air thermal current $I_{th}$	IEC/EN	A	10		
	UL/CSA	A	10		
Rated operational voltage		V	480		
Rated operational impulse voltage		kV	4		
Maximum fuse size for short-circuit protection $I_n$ (gG)	10kA	A	16		
Rated short time current $I_{cw}$	1s	kA	250		
Conductivity				10/5 mA/V	
Operational current $I_e$ IEC/EN	AC1/AC21A		A	10	
	AC15	110V	A	5	
		220/230V	A	3	
		380/400V	A	2	
Rated operational power in AC	Three-phase AC-3	220/230V	kW	1.5	
		380/440V	kW	2.2	
	Single-phase AC-3	110V	kW	0.3	
		220/230V	kW	0.55	
		380/440V	kW	0.75	
	Three-phase AC23A	220/230V	kW	1.8	
		380/440V	kW	3	
	Single-phase AC23A	110V	kW	0.7	
		220/230V	kW	0.75	
		380/440V	kW	1.1	
	Rated operational current in DC	DC21A	48V	A	10
			60V	A	7
110V			A	2	

		220V	A	0.7
		440V	A	0.2
DC13		24V	A	3
		48V	A	3
		60V	A	2
		110V	A	1
		220V	A	0.3
		440V	A	0.1
Power dissipation			W	0.4
<b>Mechanical features</b>				
Terminals screw				2.5M
Tightening torque for terminals max			Nm	0.4
Conductor size				
	AWG - Rigid cable			
		min	AWG	20
		Max	AWG	14
	AWG - Flexible cable			
		min	AWG	20
		Max	AWG	14
	Conductor size (IEC) - Flexible cable			
		min	mm <sup>2</sup>	0.5
		Max	mm <sup>2</sup>	1.5
	Conductor size (IEC) - Rigid cable			
		min	mm <sup>2</sup>	0.5
		Max	mm <sup>2</sup>	1.5
Mechanical life			cycles	1x10 <sup>6</sup>
<b>UL technical data</b>				
Motor power for direct-on-line control				
	for three-phase motor			
		240V	HP	2
	for single-phase motor			
		240V	HP	0.75
<b>Ambient conditions</b>				
Temperature				
	Operating temperature			
		min	°C	-25
		max	°C	+55
	Storage temperature			
		min	°C	-40
		max	°C	+70
<b>Resistance &amp; Protection</b>				
Frontal IP degree				IP40
Terminals IP degree				IP20
<b>Dimensions</b>				



Series	Dimensions								L Number of elements											
	□A	C	D	∅D1	∅D2	E	□K	N	1	2	3	4	5	6	7	8	9	10	11	12
GF10	30	24	29	9	3.2	18.5	-	∅5	40	52	64	76	88	100	112	124	-	-	-	-
GF20	48	39.5	36	12	5	26.5	36	□6	44	57.5	71	84.5	98	111.5	125	138.5	152	165.5	179	192.5

**Wiring diagrams**



**Certifications and compliance**

**Compliance**

CSA C22.2 n° 14  
IEC/EN/BS 60947-1  
IEC/EN/BS 60947-3  
IEC/EN/BS 60947-5-1  
UL60947-4-1

**Certificates**

cULus  
EAC

**ETIM classification**

ETIM 8.0

EC001029 -  
Selector switch,  
complete