

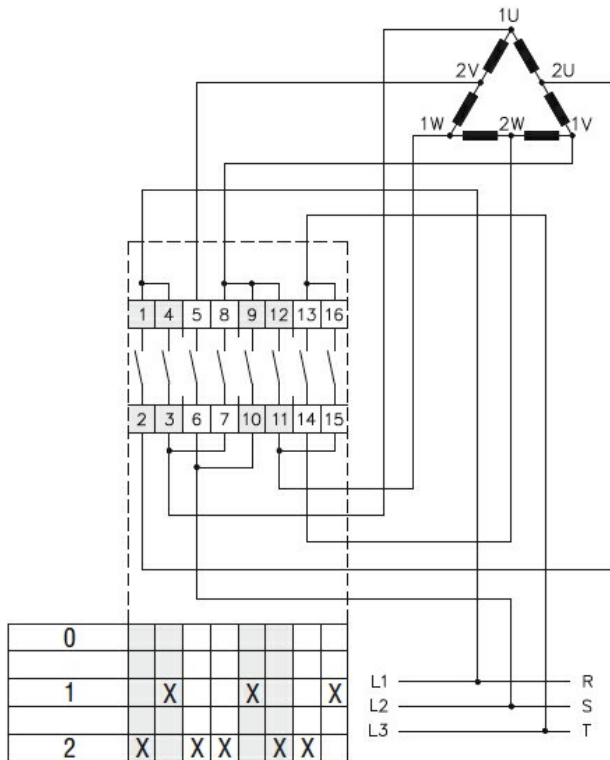
Product designation				Rotary cam switches
Product type designation				GF10
General characteristics				
Switching diagram				19 - Dahlander motor control switch 0-1-2
N° of elements				4
Mounting form				U47 - Snap on front mounting with black handle for hole diam. 22mm finxing
Contact characteristics				
Rated insulation voltage U_i	IEC/EN	V	480	
	UL/CSA	V	240	
Rated impulse withstand voltage U_{imp}		kV	4	
Conventional free air thermal current I_{th}	IEC/EN	A	10	
	UL/CSA	A	10	
Rated operational voltage		V	480	
Rated operational impulse voltage		kV	4	
Maximum fuse size for short-circuit protection I_n (gG)	10kA	A	16	
Rated short time current I_{cw}	1s	kA	250	
Conductivity				10/5 mA/V
Operational current I_e IEC/EN	AC1/AC21A			
		A	10	
AC15	110V	A	5	
	220/230V	A	3	
	380/400V	A	2	
Rated operational power in AC	Three-phase AC-3			
	220/230V	kW	1.5	
	380/440V	kW	2.2	
	Single-phase AC-3			
	110V	kW	0.3	
	220/230V	kW	0.55	
	380/440V	kW	0.75	
	Three-phase AC23A			
	220/230V	kW	1.8	
	380/440V	kW	3	
	Single-phase AC23A			
	110V	kW	0.7	
220/230V	kW	0.75		
380/440V	kW	1.1		
Rated operational current in DC	DC21A			
	48V	A	10	
	60V	A	7	

	110V	A	2
	220V	A	0.7
	440V	A	0.2
DC13			
	24V	A	3
	48V	A	3
	60V	A	2
	110V	A	1
	220V	A	0.3
	440V	A	0.1
Power dissipation		W	0.4
Mechanical features			
Terminals screw			2.5M
Tightening torque for terminals max		Nm	0.4
Conductor size			
AWG - Rigid cable			
	min	AWG	20
	Max	AWG	14
AWG - Flexible cable			
	min	AWG	20
	Max	AWG	14
Conductor size (IEC) - Flexible cable			
	min	mm ²	0.5
	Max	mm ²	1.5
Conductor size (IEC) - Rigid cable			
	min	mm ²	0.5
	Max	mm ²	1.5
Mechanical life		cycles	1x10 ⁶
UL technical data			
Motor power for direct-on-line control			
for three-phase motor			
	240V	HP	2
for single-phase motor			
	240V	HP	0.75
Ambient conditions			
Temperature			
Operating temperature			
	min	°C	-25
	max	°C	+55
Storage temperature			
	min	°C	-40
	max	°C	+70
Resistance & Protection			
Frontal IP degree			IP40
Terminals IP degree			IP20
Dimensions			



Series	Dimensions		L			
	□A	E	1	2	3...8	
GF10	30	18.5	60	72	84	144
GF20	48	26.5	56	69.5	83	150.5

Wiring diagrams



Certifications and compliance

Compliance

- CSA C22.2 n° 14
- IEC/EN/BS 60947-1
- IEC/EN/BS 60947-3
- IEC/EN/BS 60947-5-1
- UL60947-4-1

Certificates

- cULus
- EAC

ETIM classification

ETIM 8.0

EC001029 -
Selector switch,
complete