

Product designation				Rotary cam switches
Product type designation				7GN63
General characteristics				
Switching diagram				25 - 1-phase motor reversing switch with spring return
N° of elements				2
Mounting form				U65 - Front mounting with red/yellow handle padlockable in 0 and protection covers
Contact characteristics				
Rated insulation voltage U_i	IEC/EN	V	690	
	UL/CSA	V	600	
Rated impulse withstand voltage U_{imp}			kV	6
Conventional free air thermal current I_{th}	IEC/EN	A	63	
	UL/CSA	A	60	
Rated operational voltage			V	480
Rated operational impulse voltage			kV	4
Maximum fuse size for short-circuit protection I_n (gG)	10kA	A	63	
	15kA	A	63	
	25kA	A	63	
	50kA	A	63	
	63kA	A	63	
Rated short time current I_{cw}	1s	kA	1600	
				10/5 mA/V
Conductivity				10/5 mA/V
Operational current I_e IEC/EN	AC1/AC21A		A	63
	AC15			
Rated operational power in AC	110V		A	32
	220/230V		A	25
	380/400V		A	15
	660/690V		A	4
Three-phase AC-3	220/230V	kW	11	
	380/440V	kW	18.5	
	500/690V	kW	18.5	
Single-phase AC-3	110V	kW	3.7	
	220/230V	kW	6.5	
	380/440V	kW	11.5	
Three-phase AC23A	220/230V	kW	12.5	
	380/440V	kW	30	

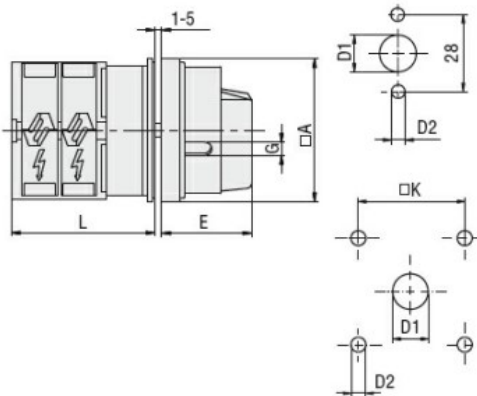
	500/690V	kW	30
Single-phase AC23A	110V	kW	3.7
	220/230V	kW	7.5
	380/440V	kW	12.5
Rated operational current in DC			
DC21A	48V	A	63
	60V	A	50
	110V	A	8
	220V	A	1
DC23A (poles in series)	24V	A	50 (1)
	48V	A	50 (2)
	60V	A	50 (3)
	110V	A	25 (3)
	220V	A	15 (4)
DC13	24V	A	63
	48V	A	40
	60V	A	28
	110V	A	3.3
Power dissipation		W	3.4
Mechanical features			
Terminals screw			M5
Tightening torque for terminals max		Nm	2
Conductor size			
AWG - Rigid cable	min	AWG	14
	Max	AWG	6
AWG - Flexible cable	min	AWG	14
	Max	AWG	8
Conductor size (IEC) - Flexible cable	min	mm ²	2.5
	Max	mm ²	10
Conductor size (IEC) - Rigid cable	min	mm ²	2.5
	Max	mm ²	16
Mechanical life		cycles	5x10 ⁶
UL technical data			
Motor power for direct-on-line control			
for three-phase motor	120V	HP	7.5
	240V	HP	15
	480V	HP	25
	600V	HP	25
for single-phase motor	120V	HP	3
	240V	HP	10
Ambient conditions			
Temperature			
Operating temperature	min	°C	-25

Storage temperature	max	°C	+55
	min	°C	-40
	max	°C	+70

Resistance & Protection

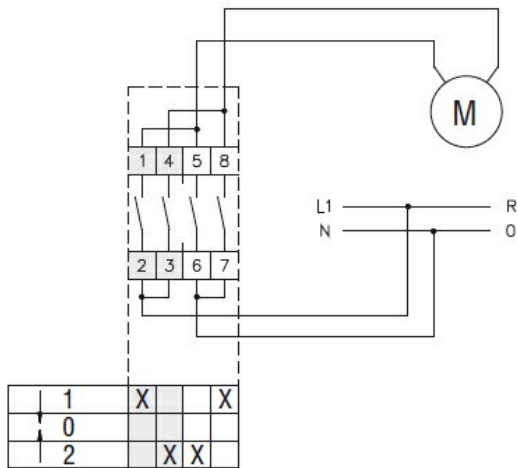
Frontal IP degree	IP40
Terminals IP degree	IP00

Dimensions



Series	Dimensions						L			
	□A	D1	D2	E	G	□K	1	2	3.....12	
7GN12	65	12	5	34.2	5	36	36.1	45.8	55.5	142.8
7GN20	65	12	5	34.2	5	36	36.1	45.8	55.5	142.8
7GN25	65	12	5	34.2	5	36	40.5	54.1	67.7	190.1
7GN32	65	14	5	38	6	48	46.5	61.6	76.7	212.6
7GN40	65	14	5	38	6	48	46.5	61.6	76.7	212.6
7GN63	65	14	5	38	6	48	50.3	68.4	86.5	249.4
7GN125	90	16	6	49	7	68	67.3	96.4	125.5	394.9

Wiring diagrams



Certifications and compliance

Compliance

CSA C22.2 n° 14
IEC/EN/BS 60947-1
IEC/EN/BS 60947-3
IEC/EN/BS 60947-5-1
UL60947-4-1

Certificates

cCSAus
EAC
UL

ETIM classification

ETIM 8.0

EC001029 -
Selector switch,
complete