

Product designation				Rotary cam switches	
Product type designation				7GN63	
General characteristics					
Switching diagram				19 - Dahlander motor control switch 0-1-2	
N° of elements				4	
Mounting form				U - Front mounting with black handle	
Contact characteristics					
Rated insulation voltage U_i	IEC/EN	V	690		
	UL/CSA	V	600		
Rated impulse withstand voltage U_{imp}		kV	6		
Conventional free air thermal current I_{th}	IEC/EN	A	63		
	UL/CSA	A	60		
Rated operational voltage		V	480		
Rated operational impulse voltage		kV	4		
Maximum fuse size for short-circuit protection I_n (gG)	10kA	A	63		
	15kA	A	63		
	25kA	A	63		
	50kA	A	63		
	63kA	A	63		
Rated short time current I_{cw}		1s	kA	1600	
				10/5 mA/V	
Conductivity				10/5 mA/V	
Operational current I_e IEC/EN	AC1/AC21A			A	63
	AC15				
Rated operational power in AC	Three-phase AC-3				
	220/230V	kW	11		
	380/440V	kW	18.5		
	500/690V	kW	18.5		
	Single-phase AC-3				
	110V	kW	3.7		
	220/230V	kW	6.5		
	380/440V	kW	11.5		
	Three-phase AC23A				
	220/230V	kW	12.5		
380/440V	kW	30			
500/690V	kW	30			
Single-phase AC23A					
110V	kW	3.7			
220/230V	kW	7.5			

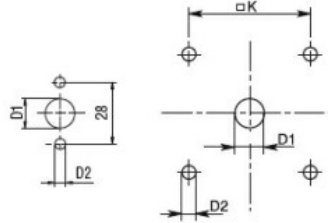
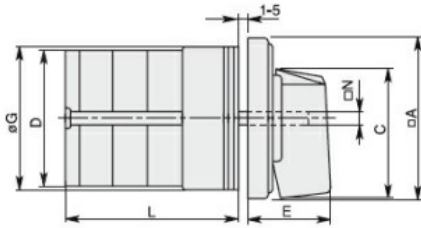
		380/440V	kW	12.5
Rated operational current in DC				
DC21A		48V	A	63
		60V	A	50
		110V	A	8
		220V	A	1
DC23A (poles in series)		24V	A	50 (1)
		48V	A	50 (2)
		60V	A	50 (3)
		110V	A	25 (3)
		220V	A	15 (4)
DC13		24V	A	63
		48V	A	40
		60V	A	28
		110V	A	3.3
Power dissipation			W	3.4
Mechanical features				
Terminals screw				M5
Tightening torque for terminals max			Nm	2
Conductor size				
AWG - Rigid cable		min	AWG	14
		Max	AWG	6
AWG - Flexible cable		min	AWG	14
		Max	AWG	8
Conductor size (IEC) - Flexible cable		min	mm ²	2.5
		Max	mm ²	10
Conductor size (IEC) - Rigid cable		min	mm ²	2.5
		Max	mm ²	16
Mechanical life			cycles	5x10 ⁶
UL technical data				
Motor power for direct-on-line control				
for three-phase motor		120V	HP	7.5
		240V	HP	15
		480V	HP	25
		600V	HP	25
for single-phase motor		120V	HP	3
		240V	HP	10
Ambient conditions				
Temperature				
Operating temperature		min	°C	-25
		max	°C	+55
Storage temperature		min	°C	-40
		max	°C	+70

Resistance & Protection

Frontal IP degree IP40

Terminals IP degree IP00

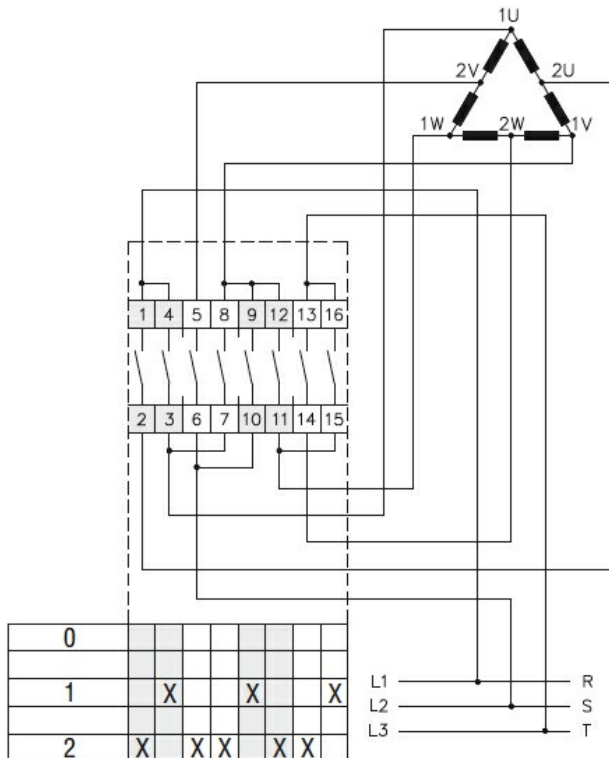
Dimensions



Standard drillings for 7GN125.
Drillings on request for 4 screws fixing
(4V version).

Series	Dimensions									L Number of elements											
	□A	C	ØD	ØD1	ØD2	E	ØG	□K	□N	1	2	3	4	5	6	7	8	9	10	11	12
7GN12	48	39.5	39	12	5	26.5	38	36	6	36.1	45.8	55.5	65.2	74.9	84.6	94.3	104	113.7	123.4	133.1	142.8
7GN20	48	39.5	39	12	5	26.5	38	36	6	36.1	45.8	55.5	65.2	74.9	84.6	94.3	104	113.7	123.4	133.1	142.8
7GN25	48	39.5	43	12	5	26.5	38	36	6	40.5	54.1	67.7	81.3	94.9	108.5	122.1	135.7	147.3	162.9	176.5	190.1
7GN32	65	53	58	14	5	34.5	58.5	48	7	46.5	61.6	76.7	91.8	106.9	122	137.1	152.2	167.3	182.4	197.5	212.6
7GN40	65	53	58	14	5	34.5	58.5	48	7	46.5	61.6	76.7	91.8	106.9	122	137.1	152.2	167.3	182.4	197.5	212.6
7GN63	65	53	62	14	5	34.5	58.5	48	7	50.3	68.4	86.5	104.6	122.7	140.8	158.9	177	195.1	213.2	231.3	249.4
7GN125	90	70.5	86	16	6	41.5	84	68	9	67.3	96.4	125.5	154.6	183.7	220.3	249.4	278.5	307.6	336.7	365.8	394.9

Wiring diagrams



Certifications and compliance

Compliance

- CSA C22.2 n° 14
- IEC/EN/BS 60947-1
- IEC/EN/BS 60947-3
- IEC/EN/BS 60947-5-1
- UL60947-4-1

Certificates

cCSAus

EAC

UL

ETIM classification

ETIM 8.0

EC001029 -
Selector switch,
complete