

Product designation	Enclosed rotary cam switch		
Product type designation	7GN63		
<b>General characteristics</b>			
Switching diagram	19 - Dahlander motor control switch 0-1-2		
N° of elements	4		
Mounting form	P25 - Plastic enclosure with red/yellow handle		
<b>Contact characteristics</b>			
Rated insulation voltage $U_i$	IEC/EN	V	690
	UL/CSA	V	600
Rated impulse withstand voltage $U_{imp}$		kV	6
Conventional free air thermal current $I_{th}$	IEC/EN	A	63
	UL/CSA	A	60
Rated operational voltage		V	480
Rated operational impulse voltage		kV	4
Maximum fuse size for short-circuit protection $I_n$ (gG)	10kA	A	63
	15kA	A	63
	25kA	A	63
	50kA	A	63
	63kA	A	63
Rated short time current $I_{cw}$	1s	kA	1600
			10/5 mA/V
Conductivity	10/5 mA/V		
Operational current $I_e$ IEC/EN	AC1/AC21A		
		A	63
AC15	110V	A	32
	220/230V	A	25
	380/400V	A	15
	660/690V	A	4
	Rated operational power in AC		
Three-phase AC-3	220/230V	kW	11
	380/440V	kW	18.5
	500/690V	kW	18.5
Single-phase AC-3	110V	kW	3.7
	220/230V	kW	6.5
	380/440V	kW	11.5
Three-phase AC23A	220/230V	kW	12.5
	380/440V	kW	30
	500/690V	kW	30
Single-phase AC23A	110V	kW	3.7
	220/230V	kW	7.5

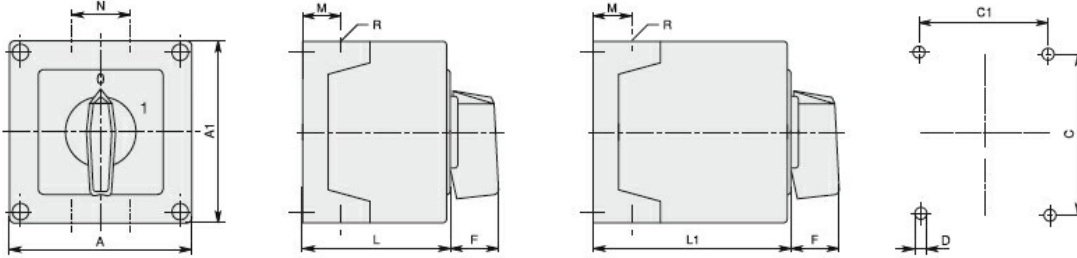
		380/440V	kW	12.5
Rated operational current in DC				
DC21A		48V	A	63
		60V	A	50
		110V	A	8
		220V	A	1
DC23A (poles in series)		24V	A	50 (1)
		48V	A	50 (2)
		60V	A	50 (3)
		110V	A	25 (3)
		220V	A	15 (4)
DC13		24V	A	63
		48V	A	40
		60V	A	28
		110V	A	3.3
Power dissipation			W	3.4
<b>Mechanical features</b>				
Terminals screw				M5
Tightening torque for terminals max			Nm	2
Conductor size				
AWG - Rigid cable		min	AWG	14
		Max	AWG	6
AWG - Flexible cable		min	AWG	14
		Max	AWG	8
Conductor size (IEC) - Flexible cable		min	mm <sup>2</sup>	2.5
		Max	mm <sup>2</sup>	10
Conductor size (IEC) - Rigid cable		min	mm <sup>2</sup>	2.5
		Max	mm <sup>2</sup>	16
Mechanical life			cycles	5x10 <sup>6</sup>
<b>UL technical data</b>				
Motor power for direct-on-line control				
for three-phase motor		120V	HP	7.5
		240V	HP	15
		480V	HP	25
		600V	HP	25
for single-phase motor		120V	HP	3
		240V	HP	10
<b>Ambient conditions</b>				
Temperature				
Operating temperature		min	°C	-25
		max	°C	+55
Storage temperature		min	°C	-40
		max	°C	+70

**Resistance & Protection**

Frontal IP degree IP65

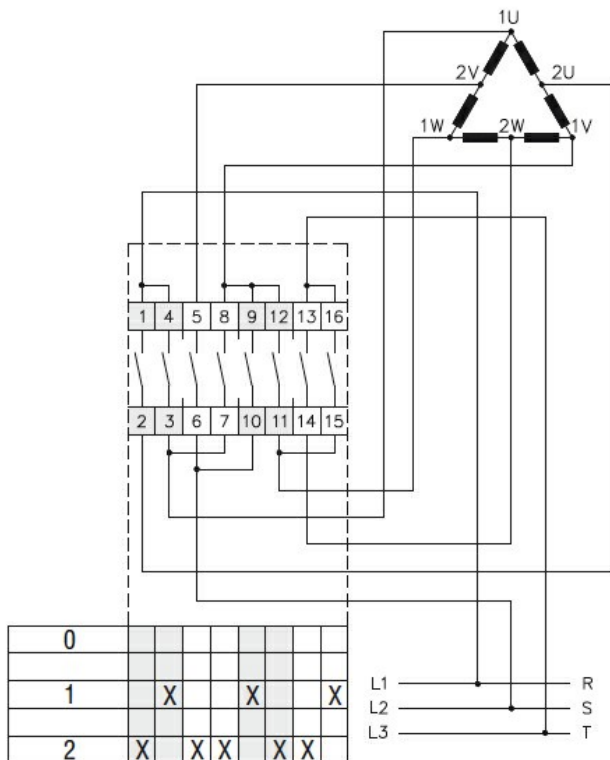
Terminals IP degree IP00

**Dimensions**



Series	Enclosure size	Number of elements		Dimensions										Cable entry	Protection degree
		L	L1	A	A1	C	C1	D	F	M	N	L	L1		
7GN12	75x75	1-2	3-4	75	75	50	64	4.5	19	14	28	57.5	79.8	4xPG13.5	IP65
7GN20		1-2	3-4												
7GN25		1	2-3												
7GN12	90x90	1-3	4-6	90	90	79	63	4.5	25	19	30	71.3	98.3	4xPG16	IP65
7GN20		1-3	4-6												
7GN25		1-2	3-4												
7GN32		1-2	3-4												
7GN40		1	2-3												
7GN12	110x110	1-4	5-8	110	110	98.4	83	4.5	32	21	39.5	85.5	119.5	4xPG21	IP65
7GN20		1-4	5-8												
7GN25		1-3	4-5												
7GN32		1-3	4-5												
7GN40		1-2	3-5												
7GN63		1-2	3-4												
7GN32	125x175	1-3	4-5	125	175	146	112	5.5	32	21	68	84.3	118.3	4xPG21 2xPG11	IP65
7GN40		1-2	3-4												
7GN63		1-2	3-4												
7GN125		1	2												
7GN32	180x254	1-5	6-8	180	254	120	190	5.5	32	35	76	121	175	4xPG29 2xPG11	IP65
7GN40		1-4	5-7												
7GN63		1-3	4-6												
7GN125		1-2	3-4												

**Wiring diagrams**



**Certifications and compliance**

Compliance

IEC/EN/BS 60947-1  
IEC/EN/BS 60947-3  
IEC/EN/BS 60947-5-1

Certificates

EAC

ETIM classification

ETIM 8.0

EC001029 -  
Selector switch,  
complete