



|   |  |    |           |
|---|--|----|-----------|
| Product designation                                       | Rotary cam switches  |    |           |
| Product type designation                                  | 7GN40  |    |           |
| <b>General characteristics</b>                            |  |    |           |
| Switching diagram   | 92 - ON/OFF switch 4 poles   |    |           |
| N° of elements  | 2  |    |           |
| Mounting form   | U65 - Front mounting with red/yellow handle padlockable in 0 and protection covers |    |           |
| <b>Contact characteristics</b>                            |  |    |           |
| Rated insulation voltage $U_i$                            | IEC/EN   | V  | 690       |
|   | UL/CSA   | V  | 600       |
| Rated impulse withstand voltage $U_{imp}$                 |  | kV | 6         |
| Conventional free air thermal current $I_{th}$            | IEC/EN   | A  | 40        |
|   | UL/CSA   | A  | 50        |
| Rated operational voltage                                 |  | V  | 480       |
| Rated operational impulse voltage                         |  | kV | 4         |
| Maximum fuse size for short-circuit protection $I_n$ (gG) | 10kA   | A  | 40        |
|   | 15kA   | A  | 40        |
|   | 25kA   | A  | 40        |
|   | 50kA   | A  | 40        |
|   | 63kA   | A  | 40        |
| Rated short time current $I_{cw}$                         | 1s   | kA | 1000      |
|   | 60s  | A  | 1000      |
| Conductivity  |  |    | 10/5 mA/V |
| Operational current $I_e$ IEC/EN                          | AC1/AC21A  |    |           |
|   |  | A  | 40        |
| AC15  | 110V   | A  | 25        |
|   | 220/230V   | A  | 22        |
|   | 380/400V   | A  | 12        |
|   | 660/690V   | A  | 2         |
|   |  |    |           |
| Rated operational power in AC                             | Three-phase AC-3   |    |           |
|   | 220/230V   | kW | 8         |
|   | 380/440V   | kW | 15        |
|   | 500/690V   | kW | 15        |

|  |          |                 |                          |
|--|----------|-----------------|--------------------------|
| Single-phase AC-3                      |          |                 |                          |
|  | 110V     | kW              | 3                        |
|  | 220/230V | kW              | 6.5                      |
|  | 380/440V | kW              | 8                        |
| Three-phase AC23A                      |          |                 |                          |
|  | 220/230V | kW              | 8                        |
|  | 380/440V | kW              | 18.5                     |
|  | 500/690V | kW              | 22                       |
| Single-phase AC23A                     |          |                 |                          |
|  | 110V     | kW              | 3                        |
|  | 220/230V | kW              | 6                        |
|  | 380/440V | kW              | 11                       |
| Rated operational current in DC        |          |                 |                          |
| DC21A                                  |          |                 |                          |
|  | 48V      | A               | 40                       |
|  | 60V      | A               | 40                       |
|  | 110V     | A               | 6                        |
|  | 220V     | A               | 0.9                      |
| DC23A (poles in series)                |          |                 |                          |
|  | 24V      | A               | 40 (1)                   |
|  | 48V      | A               | 40 (2)                   |
|  | 60V      | A               | 40 (3)                   |
|  | 110V     | A               | 20 (3)                   |
|  | 220V     | A               | 12 (4)                   |
| DC13                                   |          |                 |                          |
|  | 24V      | A               | 40                       |
|  | 48V      | A               | 32                       |
|  | 60V      | A               | 16                       |
|  | 110V     | A               | 3                        |
| Power dissipation                      |          | W               | 2.0                      |
| <b>Mechanical features</b>             |          |                 |                          |
| Terminals screw                        |          |                 | M4                       |
| Tightening torque for terminals max    |          |                 | Nm 1.2                   |
| Conductor size                         |          |                 |                          |
| AWG - Rigid cable                      |          |                 |                          |
|  | min      | AWG             | 16                       |
|  | Max      | AWG             | 8                        |
| AWG - Flexible cable                   |          |                 |                          |
|  | min      | AWG             | 16                       |
|  | Max      | AWG             | 10                       |
| Conductor size (IEC) - Flexible cable  |          |                 |                          |
|  | min      | mm <sup>2</sup> | 1.5                      |
|  | Max      | mm <sup>2</sup> | 6                        |
| Conductor size (IEC) - Rigid cable     |          |                 |                          |
|  | min      | mm <sup>2</sup> | 1.5                      |
|  | Max      | mm <sup>2</sup> | 10                       |
| Mechanical life                        |          |                 | cycles 5x10 <sup>6</sup> |
| <b>UL technical data</b>               |          |                 |                          |
| Motor power for direct-on-line control |          |                 |                          |
| for three-phase motor                  |          |                 |                          |
|  | 120V     | HP              | 5                        |
|  | 240V     | HP              | 10                       |
|  | 480V     | HP              | 20                       |
|  | 600V     | HP              | 20                       |

for single-phase motor

|      |    |   |
|------|----|---|
| 120V | HP | 2 |
| 240V | HP | 5 |

**Ambient conditions**

Temperature

Operating temperature

|     |    |     |
|-----|----|-----|
| min | °C | -25 |
| max | °C | +55 |

Storage temperature

|     |    |     |
|-----|----|-----|
| min | °C | -40 |
| max | °C | +70 |

**Resistance & Protection**

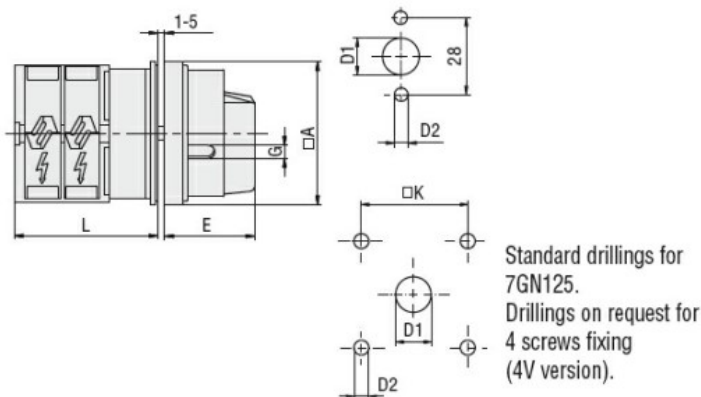
Frontal IP degree

IP40

Terminals IP degree

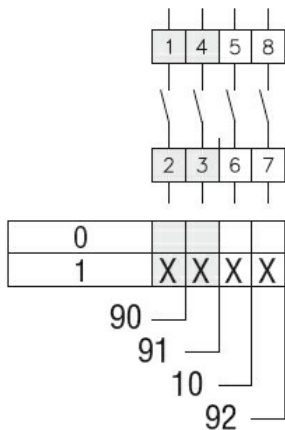
IP00

**Dimensions**



| Series | Dimensions |    |    |      |   |    | L    |      |        |       |
|--------|------------|----|----|------|---|----|------|------|--------|-------|
|        | □A         | D1 | D2 | E    | G | □K | 1    | 2    | 3...12 |       |
| 7GN12  | 65         | 12 | 5  | 34.2 | 5 | 36 | 36.1 | 45.8 | 55.5   | 142.8 |
| 7GN20  | 65         | 12 | 5  | 34.2 | 5 | 36 | 36.1 | 45.8 | 55.5   | 142.8 |
| 7GN25  | 65         | 12 | 5  | 34.2 | 5 | 36 | 40.5 | 54.1 | 67.7   | 190.1 |
| 7GN32  | 65         | 14 | 5  | 38   | 6 | 48 | 46.5 | 61.6 | 76.7   | 212.6 |
| 7GN40  | 65         | 14 | 5  | 38   | 6 | 48 | 46.5 | 61.6 | 76.7   | 212.6 |
| 7GN63  | 65         | 14 | 5  | 38   | 6 | 48 | 50.3 | 68.4 | 86.5   | 249.4 |
| 7GN125 | 90         | 16 | 6  | 49   | 7 | 68 | 67.3 | 96.4 | 125.5  | 394.9 |

**Wiring diagrams**



**Certifications and compliance**

Compliance

- CSA C22.2 n° 14
- IEC/EN/BS 60947-1
- IEC/EN/BS 60947-3
- IEC/EN/BS 60947-5-1
- UL60947-4-1

Certificates

- cCSAus
- EAC
- UL

**ETIM classification**

ETIM 8.0

EC001105 - Off-  
load switch