

|   |           |    |      |  |
|---|-----------|----|------|--|
| Product designation                                       |           |    |      | Rotary cam switches  |
| Product type designation                                  |           |    |      | 7GN40  |
| <b>General characteristics</b>                            |           |    |      |  |
| Switching diagram   |           |    |      | 26 - 3-phase motor reversing switch with spring return                             |
| N° of elements  |           |    |      | 3  |
| Mounting form   |           |    |      | U65 - Front mounting with red/yellow handle padlockable in 0 and protection covers |
| <b>Contact characteristics</b>                            |           |    |      |  |
| Rated insulation voltage $U_i$                            | IEC/EN    | V  | 690  |  |
|   | UL/CSA    | V  | 600  |  |
| Rated impulse withstand voltage $U_{imp}$                 |           |    | kV   | 6  |
| Conventional free air thermal current $I_{th}$            | IEC/EN    | A  | 40   |  |
|   | UL/CSA    | A  | 50   |  |
| Rated operational voltage                                 |           |    | V    | 480  |
| Rated operational impulse voltage                         |           |    | kV   | 4  |
| Maximum fuse size for short-circuit protection $I_n$ (gG) | 10kA      | A  | 40   |  |
|   | 15kA      | A  | 40   |  |
|   | 25kA      | A  | 40   |  |
|   | 50kA      | A  | 40   |  |
|   | 63kA      | A  | 40   |  |
| Rated short time current $I_{cw}$                         | 1s        | kA | 1000 |  |
|   |           |    |      | 10/5 mA/V  |
| Conductivity  |           |    |      | 10/5 mA/V  |
| Operational current $I_e$ IEC/EN                          | AC1/AC21A |    | A    | 40   |
|   | AC15      |    |      |  |
| Rated operational power in AC                             | 110V      |    | A    | 25   |
|   | 220/230V  |    | A    | 22   |
|   | 380/400V  |    | A    | 12   |
|   | 660/690V  |    | A    | 2  |
|   |           |    |      |  |
| Three-phase AC-3  | 220/230V  | kW | 8    |  |
|   | 380/440V  | kW | 15   |  |
|   | 500/690V  | kW | 15   |  |
| Single-phase AC-3   | 110V      | kW | 3    |  |
|   | 220/230V  | kW | 6.5  |  |
|   | 380/440V  | kW | 8    |  |
| Three-phase AC23A   | 220/230V  | kW | 8    |  |
|   | 380/440V  | kW | 18.5 |  |

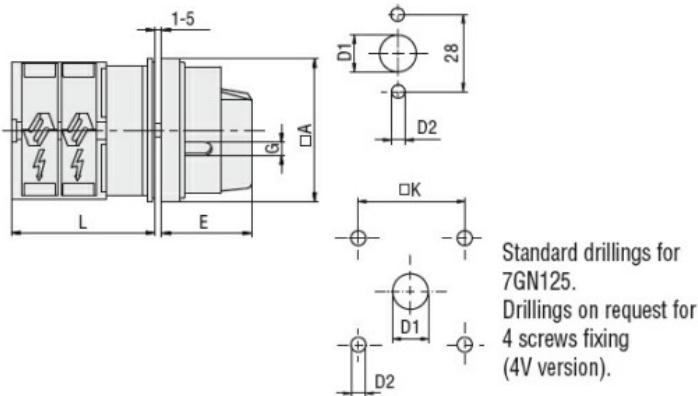
|  |          |                 |                   |
|--|----------|-----------------|-------------------|
|  | 500/690V | kW              | 22                |
| Single-phase AC23A                     | 110V     | kW              | 3                 |
|  | 220/230V | kW              | 6                 |
|  | 380/440V | kW              | 11                |
| Rated operational current in DC        |          |                 |                   |
| DC21A                                  | 48V      | A               | 40                |
|  | 60V      | A               | 40                |
|  | 110V     | A               | 6                 |
|  | 220V     | A               | 0.9               |
| DC23A (poles in series)                | 24V      | A               | 40 (1)            |
|  | 48V      | A               | 40 (2)            |
|  | 60V      | A               | 40 (3)            |
|  | 110V     | A               | 20 (3)            |
|  | 220V     | A               | 12 (4)            |
| DC13                                   | 24V      | A               | 40                |
|  | 48V      | A               | 32                |
|  | 60V      | A               | 16                |
|  | 110V     | A               | 3                 |
| Power dissipation                      |          | W               | 2.0               |
| <b>Mechanical features</b>             |          |                 |                   |
| Terminals screw                        |          |                 | M4                |
| Tightening torque for terminals max    |          | Nm              | 1.2               |
| Conductor size                         |          |                 |                   |
| AWG - Rigid cable                      | min      | AWG             | 16                |
|  | Max      | AWG             | 8                 |
| AWG - Flexible cable                   | min      | AWG             | 16                |
|  | Max      | AWG             | 10                |
| Conductor size (IEC) - Flexible cable  | min      | mm <sup>2</sup> | 1.5               |
|  | Max      | mm <sup>2</sup> | 6                 |
| Conductor size (IEC) - Rigid cable     | min      | mm <sup>2</sup> | 1.5               |
|  | Max      | mm <sup>2</sup> | 10                |
| Mechanical life                        |          | cycles          | 5x10 <sup>6</sup> |
| <b>UL technical data</b>               |          |                 |                   |
| Motor power for direct-on-line control |          |                 |                   |
| for three-phase motor                  | 120V     | HP              | 5                 |
|  | 240V     | HP              | 10                |
|  | 480V     | HP              | 20                |
|  | 600V     | HP              | 20                |
| for single-phase motor                 | 120V     | HP              | 2                 |
|  | 240V     | HP              | 5                 |
| <b>Ambient conditions</b>              |          |                 |                   |
| Temperature                            |          |                 |                   |
| Operating temperature                  | min      | °C              | -25               |

|                     |     |    |     |
|---------------------|-----|----|-----|
| Storage temperature | max | °C | +55 |
|                     | min | °C | -40 |
|                     | max | °C | +70 |

**Resistance & Protection**

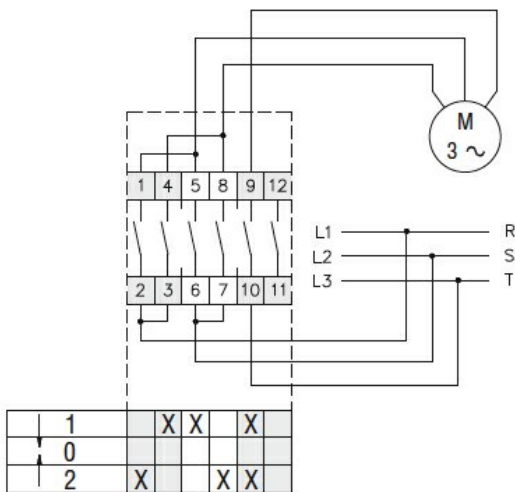
|                     |      |
|---------------------|------|
| Frontal IP degree   | IP40 |
| Terminals IP degree | IP00 |

**Dimensions**



| Series | Dimensions |    |    |      |   |    | L    |      |        |       |
|--------|------------|----|----|------|---|----|------|------|--------|-------|
|        | □A         | D1 | D2 | E    | G | □K | 1    | 2    | 3...12 |       |
| 7GN12  | 65         | 12 | 5  | 34.2 | 5 | 36 | 36.1 | 45.8 | 55.5   | 142.8 |
| 7GN20  | 65         | 12 | 5  | 34.2 | 5 | 36 | 36.1 | 45.8 | 55.5   | 142.8 |
| 7GN25  | 65         | 12 | 5  | 34.2 | 5 | 36 | 40.5 | 54.1 | 67.7   | 190.1 |
| 7GN32  | 65         | 14 | 5  | 38   | 6 | 48 | 46.5 | 61.6 | 76.7   | 212.6 |
| 7GN40  | 65         | 14 | 5  | 38   | 6 | 48 | 46.5 | 61.6 | 76.7   | 212.6 |
| 7GN63  | 65         | 14 | 5  | 38   | 6 | 48 | 50.3 | 68.4 | 86.5   | 249.4 |
| 7GN125 | 90         | 16 | 6  | 49   | 7 | 68 | 67.3 | 96.4 | 125.5  | 394.9 |

**Wiring diagrams**



**Certifications and compliance**

Compliance

|                     |
|---------------------|
| CSA C22.2 n° 14     |
| IEC/EN/BS 60947-1   |
| IEC/EN/BS 60947-3   |
| IEC/EN/BS 60947-5-1 |
| UL60947-4-1         |

Certificates

|        |
|--------|
| cCSAus |
| EAC    |
| UL     |

**ETIM classification**

|          |                                      |
|----------|--------------------------------------|
| ETIM 8.0 | EC001029 - Selector switch, complete |
|----------|--------------------------------------|