

Product designation				Rotary cam switches	
Product type designation				7GN40	
General characteristics					
Switching diagram				07 - ON/OFF switch 3 poles	
N° of elements				2	
Mounting form				U25 - Front mounting with red/yellow handle padlockable in 0 and protection covers	
Contact characteristics					
Rated insulation voltage U_i	IEC/EN	V	690		
	UL/CSA	V	600		
Rated impulse withstand voltage U_{imp}			kV	6	
Conventional free air thermal current I_{th}	IEC/EN	A	40		
	UL/CSA	A	50		
Rated operational voltage			V	480	
Rated operational impulse voltage			kV	4	
Maximum fuse size for short-circuit protection I_n (gG)	10kA	A	40		
	15kA	A	40		
	25kA	A	40		
	50kA	A	40		
	63kA	A	40		
Rated short time current I_{cw}	1s	kA	1000		
				10/5 mA/V	
Conductivity				10/5 mA/V	
Operational current I_e IEC/EN	AC1/AC21A		A	40	
	AC15				
		110V	A	25	
		220/230V	A	22	
		380/400V	A	12	
		660/690V	A	2	
Rated operational power in AC	Three-phase AC-3				
			220/230V	kW	8
			380/440V	kW	15
			500/690V	kW	15
	Single-phase AC-3				
			110V	kW	3
			220/230V	kW	6.5
			380/440V	kW	8
	Three-phase AC23A				
			220/230V	kW	8
			380/440V	kW	18.5
			500/690V	kW	22
Single-phase AC23A					

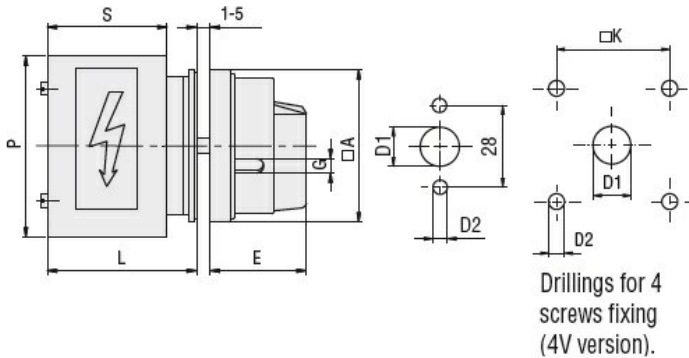
	110V	kW	3
	220/230V	kW	6
	380/440V	kW	11
Rated operational current in DC			
DC21A			
	48V	A	40
	60V	A	40
	110V	A	6
	220V	A	0.9
DC23A (poles in series)			
	24V	A	40 (1)
	48V	A	40 (2)
	60V	A	40 (3)
	110V	A	20 (3)
	220V	A	12 (4)
DC13			
	24V	A	40
	48V	A	32
	60V	A	16
	110V	A	3
Power dissipation		W	2.0
Mechanical features			
Terminals screw			M4
Tightening torque for terminals max		Nm	1.2
Conductor size			
AWG - Rigid cable			
	min	AWG	16
	Max	AWG	8
AWG - Flexible cable			
	min	AWG	16
	Max	AWG	10
Conductor size (IEC) - Flexible cable			
	min	mm ²	1.5
	Max	mm ²	6
Conductor size (IEC) - Rigid cable			
	min	mm ²	1.5
	Max	mm ²	10
Mechanical life		cycles	5x10 ⁶
UL technical data			
Motor power for direct-on-line control			
for three-phase motor			
	120V	HP	5
	240V	HP	10
	480V	HP	20
	600V	HP	20
for single-phase motor			
	120V	HP	2
	240V	HP	5
Ambient conditions			
Temperature			
Operating temperature			
	min	°C	-25
	max	°C	+55
Storage temperature			

min °C -40
max °C +70

Resistance & Protection

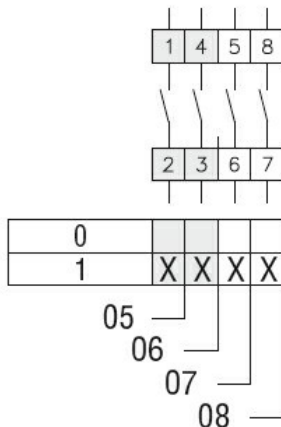
Frontal IP degree	IP40
Terminals IP degree	IP00

Dimensions



Series	Dimensions								
	□A	D1	D2	E	G	□K	S	P	L
7GN12	65	12	5	34.2	5	36	43	64	54.3
7GN20	65	12	5	34.2	5	36	43	64	54.3
7GN25	65	12	5	34.2	5	36	51	68	62.6
7GN32	65	14	5	38	6	48	55	77	71.7
7GN40	65	14	5	38	6	48	55	77	71.7

Wiring diagrams



Certifications and compliance

Compliance

CSA C22.2 n° 14
IEC/EN/BS 60947-1
IEC/EN/BS 60947-3
IEC/EN/BS 60947-5-1
UL60947-4-1

Certificates

cCSAus
EAC
UL

ETIM classification

ETIM 8.0

EC001029 -
Selector switch,
complete