

Product designation				Rotary cam switches
Product type designation				7GN32
<b>General characteristics</b>				
Switching diagram				26 - 3-phase motor reversing switch with spring return
N° of elements				3
Mounting form				O - Rear mounting with black handle
<b>Contact characteristics</b>				
Rated insulation voltage $U_i$	IEC/EN	V	690	
	UL/CSA	V	600	
Rated impulse withstand voltage $U_{imp}$			kV	6
Conventional free air thermal current $I_{th}$	IEC/EN	A	32	
	UL/CSA	A	40	
Rated operational voltage			V	480
Rated operational impulse voltage			kV	4
Maximum fuse size for short-circuit protection $I_n$ (gG)	10kA	A	32	
	15kA	A	32	
	25kA	A	32	
	50kA	A	32	
Rated short time current $I_{cw}$			1s	kA
				800
Conductivity				10/5 mA/V
Operational current $I_e$ IEC/EN	AC1/AC21A			A
				32
AC15	110V	A	25	
	220/230V	A	20	
	380/400V	A	10	
	660/690V	A	2	
Rated operational power in AC	Three-phase AC-3			
	220/230V	kW	7.5	
	380/440V	kW	11	
	500/690V	kW	11	
	Single-phase AC-3			
	110V	kW	2.2	
	220/230V	kW	4	
	380/440V	kW	6.5	
	Three-phase AC23A			
	220/230V	kW	8	
	380/440V	kW	15	
	500/690V	kW	18.5	
Single-phase AC23A				
110V	kW	2.2		
220/230V	kW	4		

		380/440V	kW	7.5
Rated operational current in DC				
DC21A		48V	A	32
		60V	A	32
		110V	A	6
		220V	A	0.9
DC23A (poles in series)		24V	A	32 (1)
		48V	A	32 (2)
		60V	A	32 (3)
		110V	A	15 (3)
		220V	A	12 (4)
DC13		24V	A	32
		48V	A	25
		60V	A	16
		110V	A	3
		220V	A	0.5
Power dissipation			W	1.5
<b>Mechanical features</b>				
Terminals screw				M4
Tightening torque for terminals max			Nm	1.2
Conductor size				
AWG - Rigid cable		min	AWG	16
		Max	AWG	8
AWG - Flexible cable		min	AWG	16
		Max	AWG	10
Conductor size (IEC) - Flexible cable		min	mm <sup>2</sup>	1.5
		Max	mm <sup>2</sup>	4
Conductor size (IEC) - Rigid cable		min	mm <sup>2</sup>	1.5
		Max	mm <sup>2</sup>	6
Mechanical life			cycles	5x10 <sup>6</sup>
<b>UL technical data</b>				
Motor power for direct-on-line control				
for three-phase motor		120V	HP	5
		240V	HP	10
		480V	HP	15
		600V	HP	15
for single-phase motor		120V	HP	2
		240V	HP	5
<b>Ambient conditions</b>				
Temperature				
Operating temperature		min	°C	-25
		max	°C	+55
Storage temperature		min	°C	-40

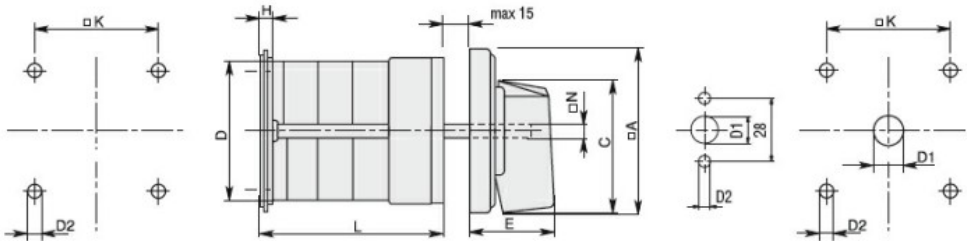
max °C +70

**Resistance & Protection**

Frontal IP degree IP40

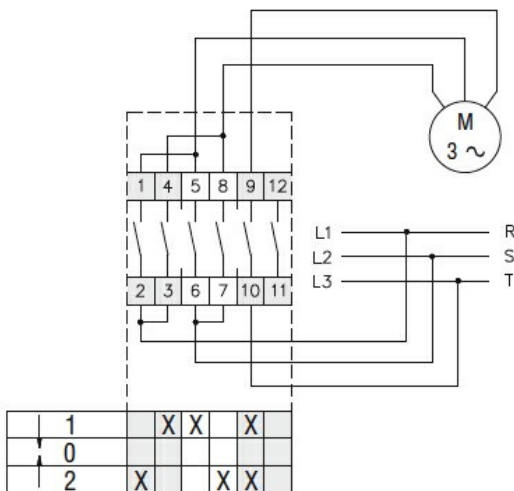
Terminals IP degree IP00

**Dimensions**



Series	Dimensions								L Number of elements											
	□A	C	ØD	ØD2	E	H	□K	□N	1	2	3	4	5	6	7	8	9	10	11	12
7GN12	48	39.5	39	5	26.5	5	36	6	38.1	47.8	57.5	67.2	76.9	86.6	96.3	106	115.7	125.4	135.1	144.8
7GN20	48	39.5	39	5	26.5	5	36	6	38.1	47.8	57.5	67.2	76.9	86.6	96.3	106	115.7	125.4	135.1	144.8
7GN25	48	39.5	43	5	26.5	5	36	6	42.5	56.1	69.7	83.3	96.9	110.5	124.1	137.7	151.3	164.9	178.5	192.1
7GN32	65	53	58	5	34.5	5.5	48	7	48.5	63.6	78.7	93.8	108.9	124	139.1	154.2	169.3	184.4	199.5	214.6
7GN40	65	53	58	5	34.5	5.5	48	7	48.5	63.6	78.7	93.8	108.9	124	139.1	154.2	169.3	184.4	199.5	214.6
7GN63	65	53	62	6	34.5	7.5	68	7	53.3	71.4	89.5	107.6	125.7	143.8	161.9	180	198.1	216.2	234.3	252.4
7GN125	90	70.5	86	6	41.4	7.5	68	9	74.8	103.9	133	162.1	191.2	220.3	249.4	278.5	307.6	336.7	365.8	394.9

**Wiring diagrams**



**Certifications and compliance**

**Compliance**

- CSA C22.2 n° 14
- IEC/EN/BS 60947-1
- IEC/EN/BS 60947-3
- IEC/EN/BS 60947-5-1
- UL60947-4-1

**Certificates**

- cCSAus
- EAC
- UL

**ETIM classification**

ETIM 8.0

EC001029 -  
Selector switch,  
complete