



Product designation

Rotary cam switches

Product type designation

7GN25

General characteristics

Switching diagram

90 - ON/OFF switch 1 pole

N° of elements

1

Mounting form

U65 - Front mounting with red/yellow handle padlockable in 0 and protection covers

Contact characteristics

Rated insulation voltage U_i

IEC/EN	V	690
UL/CSA	V	600

Rated impulse withstand voltage U_{imp}

kV	6
----	---

Conventional free air thermal current I_{th}

IEC/EN	A	25
UL/CSA	A	30

Rated operational voltage

V	480
---	-----

Rated operational impulse voltage

kV	4
----	---

Maximum fuse size for short-circuit protection I_n (gG)

10kA	A	25
15kA	A	25
25kA	A	25

Rated short time current I_{cw}

1s	kA	400
----	----	-----

Conductivity

10/5 mA/V

Operational current I_e IEC/EN

AC1/AC21A

A	25
---	----

AC15

110V	A	16
220/230V	A	12
380/400V	A	8
660/690V	A	2

Rated operational power in AC

Three-phase AC-3

220/230V	kW	5.5
380/440V	kW	7.5
500/690V	kW	7.5

Single-phase AC-3

110V	kW	1.5
220/230V	kW	3

	380/440V	kW	5.5
Three-phase AC23A	220/230V	kW	6.5
	380/440V	kW	11
	500/690V	kW	11
Single-phase AC23A	110V	kW	1.5
	220/230V	kW	3.7
	380/440V	kW	5.5
Rated operational current in DC			
DC21A			
	48V	A	25
	60V	A	25
	110V	A	4
	220V	A	0.7
DC23A (poles in series)			
	24V	A	25 (1)
	48V	A	25 (2)
	60V	A	25 (3)
	110V	A	12 (3)
	220V	A	10 (4)
DC13			
	24V	A	25
	48V	A	20
	60V	A	16
	110V	A	1.5
	220V	A	0.4
Power dissipation		W	1.1
Mechanical features			
Terminals screw			M3.5
Tightening torque for terminals max		Nm	0.8
Conductor size			
AWG - Rigid cable			
	min	AWG	20
	Max	AWG	10
AWG - Flexible cable			
	min	AWG	20
	Max	AWG	12
Conductor size (IEC) - Flexible cable			
	min	mm ²	0.5
	Max	mm ²	4
Conductor size (IEC) - Rigid cable			
	min	mm ²	0.5
	Max	mm ²	4
Mechanical life		cycles	5x10 ⁶
UL technical data			
Motor power for direct-on-line control			
for three-phase motor			
	120V	HP	3
	240V	HP	5
	480V	HP	10
	600V	HP	15
for single-phase motor			
	120V	HP	1.5

240V HP 3

Ambient conditions

Temperature

Operating temperature

min °C -25
max °C +55

Storage temperature

min °C -40
max °C +70

Resistance & Protection

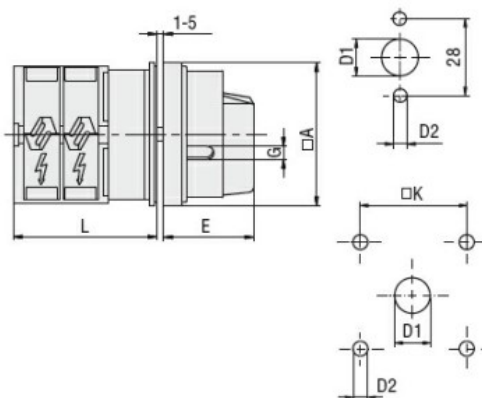
Frontal IP degree

IP40

Terminals IP degree

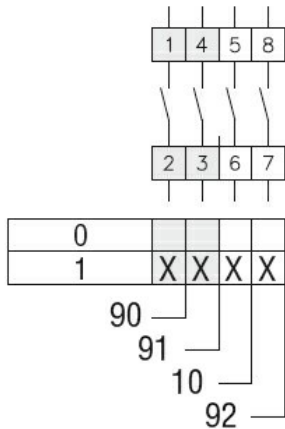
IP00

Dimensions



Series	Dimensions						L			
	□A	D1	D2	E	G	□K	1	2	3...12	
7GN12	65	12	5	34.2	5	36	36.1	45.8	55.5	142.8
7GN20	65	12	5	34.2	5	36	36.1	45.8	55.5	142.8
7GN25	65	12	5	34.2	5	36	40.5	54.1	67.7	190.1
7GN32	65	14	5	38	6	48	46.5	61.6	76.7	212.6
7GN40	65	14	5	38	6	48	46.5	61.6	76.7	212.6
7GN63	65	14	5	38	6	48	50.3	68.4	86.5	249.4
7GN125	90	16	6	49	7	68	67.3	96.4	125.5	394.9

Wiring diagrams



Certifications and compliance

Compliance

CSA C22.2 n° 14
IEC/EN/BS 60947-1
IEC/EN/BS 60947-3
IEC/EN/BS 60947-5-1
UL60947-4-1

Certificates

cCSAus
EAC
UL

ETIM classification

ETIM 8.0

EC001029 -
Selector switch,
complete

