

Product designation				Rotary cam switches
Product type designation				7GN25
General characteristics				
Switching diagram				68 - Voltmeter switch for phase-neutral voltages
N° of elements				2
Mounting form				O48 - Modular service cover for 35mm din rail mounting with black handle
Contact characteristics				
Rated insulation voltage U_i	IEC/EN	V	690	
	UL/CSA	V	600	
Rated impulse withstand voltage U_{imp}			kV	6
Conventional free air thermal current I_{th}	IEC/EN	A	25	
	UL/CSA	A	30	
Rated operational voltage			V	480
Rated operational impulse voltage			kV	4
Maximum fuse size for short-circuit protection I_n (gG)	10kA	A	25	
	15kA	A	25	
	25kA	A	25	
Rated short time current I_{cw}			1s	kA
				400
Conductivity				10/5 mA/V
Operational current I_e IEC/EN	AC1/AC21A			A
				25
AC15	110V	A	16	
	220/230V	A	12	
	380/400V	A	8	
	660/690V	A	2	
Rated operational power in AC	Three-phase AC-3			
	220/230V	kW	5.5	
	380/440V	kW	7.5	
	500/690V	kW	7.5	
	Single-phase AC-3			
	110V	kW	1.5	
	220/230V	kW	3	
	380/440V	kW	5.5	
	Three-phase AC23A			
	220/230V	kW	6.5	
	380/440V	kW	11	
	500/690V	kW	11	
Single-phase AC23A				
110V	kW	1.5		
220/230V	kW	3.7		

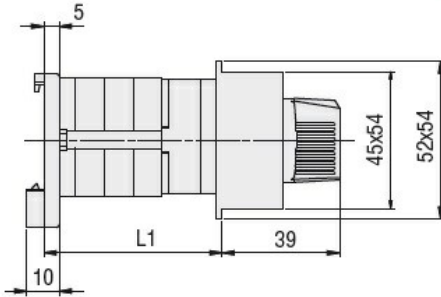
		380/440V	kW	5.5
Rated operational current in DC				
DC21A		48V	A	25
		60V	A	25
		110V	A	4
		220V	A	0.7
DC23A (poles in series)		24V	A	25 (1)
		48V	A	25 (2)
		60V	A	25 (3)
		110V	A	12 (3)
		220V	A	10 (4)
DC13		24V	A	25
		48V	A	20
		60V	A	16
		110V	A	1.5
		220V	A	0.4
Power dissipation			W	1.1
Mechanical features				
Terminals screw				M3.5
Tightening torque for terminals max			Nm	0.8
Conductor size				
AWG - Rigid cable		min	AWG	20
		Max	AWG	10
AWG - Flexible cable		min	AWG	20
		Max	AWG	12
Conductor size (IEC) - Flexible cable		min	mm ²	0.5
		Max	mm ²	4
Conductor size (IEC) - Rigid cable		min	mm ²	0.5
		Max	mm ²	4
Mechanical life			cycles	5x10 ⁶
UL technical data				
Motor power for direct-on-line control				
for three-phase motor		120V	HP	3
		240V	HP	5
		480V	HP	10
		600V	HP	15
for single-phase motor		120V	HP	1.5
		240V	HP	3
Ambient conditions				
Temperature				
Operating temperature		min	°C	-25
		max	°C	+55
Storage temperature		min	°C	-40

max °C +70

Resistance & Protection

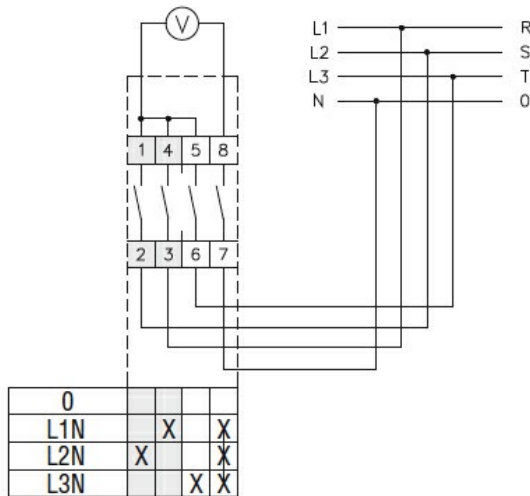
Frontal IP degree	IP40
Terminals IP degree	IP00

Dimensions



Series	L1		
	1	2	3
7GN12	38.1	47.8	57.5
7GN20	38.1	47.8	57.5
7GN25	42.5	56.1	69.7

Wiring diagrams



Certifications and compliance

Compliance

- CSA C22.2 n° 14
- IEC/EN/BS 60947-1
- IEC/EN/BS 60947-3
- IEC/EN/BS 60947-5-1
- UL60947-4-1

Certificates

- cCSAus
- EAC
- UL

ETIM classification

ETIM 8.0

EC001029 -
Selector switch,
complete

