

Product designation				Rotary cam switches
Product type designation				7GN25
General characteristics				
Switching diagram				53 - Changeover switch 3 poles - 2 speed motor starting with separate windings
N° of elements				3
Mounting form				O48 - Modular service cover for 35mm din rail mounting with black handle
Contact characteristics				
Rated insulation voltage Ui		IEC/EN	V	690
		UL/CSA	V	600
Rated impulse withstand voltage Uimp			kV	6
Conventional free air thermal current Ith		IEC/EN	A	25
		UL/CSA	A	30
Rated operational voltage			V	480
Rated operational impulse voltage			kV	4
Maximum fuse size for short-circuit protection In (gG)		10kA	A	25
		15kA	A	25
		25kA	A	25
Rated short time current Icw		1s	kA	400
Conductivity				10/5 mA/V
Operational current Ie IEC/EN				
AC1/AC21A			A	25
AC15		110V	A	16
		220/230V	A	12
		380/400V	A	8
		660/690V	A	2
Rated operational power in AC				
Three-phase AC-3		220/230V	kW	5.5
		380/440V	kW	7.5
		500/690V	kW	7.5
Single-phase AC-3		110V	kW	1.5
		220/230V	kW	3
		380/440V	kW	5.5
Three-phase AC23A		220/230V	kW	6.5
		380/440V	kW	11
		500/690V	kW	11

Single-phase AC23A

110V	kW	1.5
220/230V	kW	3.7
380/440V	kW	5.5

Rated operational current in DC

DC21A

48V	A	25
60V	A	25
110V	A	4
220V	A	0.7

DC23A (poles in series)

24V	A	25 (1)
48V	A	25 (2)
60V	A	25 (3)
110V	A	12 (3)
220V	A	10 (4)

DC13

24V	A	25
48V	A	20
60V	A	16
110V	A	1.5
220V	A	0.4

Power dissipation

W	1.1
---	-----

Mechanical features

Terminals screw

M3.5

Tightening torque for terminals max

Nm	0.8
----	-----

Conductor size

AWG - Rigid cable

min	AWG	20
Max	AWG	10

AWG - Flexible cable

min	AWG	20
Max	AWG	12

Conductor size (IEC) - Flexible cable

min	mm ²	0.5
Max	mm ²	4

Conductor size (IEC) - Rigid cable

min	mm ²	0.5
Max	mm ²	4

Mechanical life

cycles	5x10 ⁶
--------	-------------------

UL technical data

Motor power for direct-on-line control

for three-phase motor

120V	HP	3
240V	HP	5
480V	HP	10
600V	HP	15

for single-phase motor

120V	HP	1.5
240V	HP	3

Ambient conditions

Temperature

Operating temperature

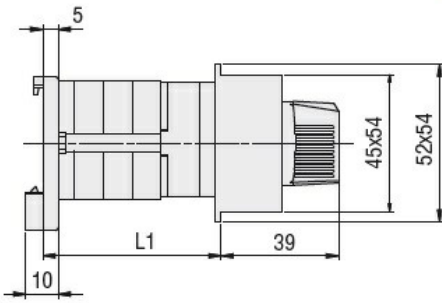
min	°C	-25
-----	----	-----

Storage temperature	max	°C	+55
	min	°C	-40
	max	°C	+70

Resistance & Protection

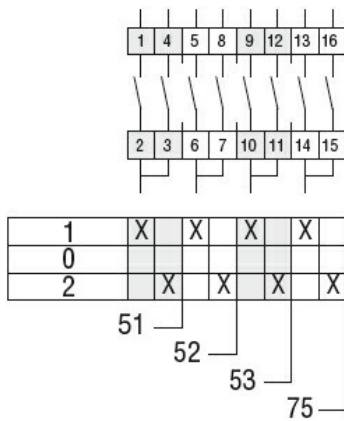
Frontal IP degree	IP40
Terminals IP degree	IP00

Dimensions



Series	L1		
	1	2	3
7GN12	38.1	47.8	57.5
7GN20	38.1	47.8	57.5
7GN25	42.5	56.1	69.7

Wiring diagrams



Certifications and compliance

Compliance

CSA C22.2 n° 14
IEC/EN/BS 60947-1
IEC/EN/BS 60947-3
IEC/EN/BS 60947-5-1
UL60947-4-1

Certificates

cCSAus
EAC
UL

ETIM classification

ETIM 8.0

EC001029 -
Selector switch,
complete