

Product designation				Rotary cam switches
Product type designation				7GN25
<b>General characteristics</b>				
Switching diagram				20 - Dahlander motor 2-speed reversing switch
N° of elements				6
Mounting form				O - Rear mounting with black handle
<b>Contact characteristics</b>				
Rated insulation voltage $U_i$	IEC/EN	V	690	
	UL/CSA	V	600	
Rated impulse withstand voltage $U_{imp}$			kV	6
Conventional free air thermal current $I_{th}$	IEC/EN	A	25	
	UL/CSA	A	30	
Rated operational voltage			V	480
Rated operational impulse voltage			kV	4
Maximum fuse size for short-circuit protection $I_n$ (gG)	10kA	A	25	
	15kA	A	25	
	25kA	A	25	
Rated short time current $I_{cw}$			1s	kA
				400
Conductivity				10/5 mA/V
Operational current $I_e$ IEC/EN	AC1/AC21A			A
	AC15			
		110V	A	16
		220/230V	A	12
		380/400V	A	8
		660/690V	A	2
Rated operational power in AC	Three-phase AC-3			
			220/230V	kW
			380/440V	kW
			500/690V	kW
	Single-phase AC-3			
			110V	kW
			220/230V	kW
			380/440V	kW
	Three-phase AC23A			
			220/230V	kW
			380/440V	kW
			500/690V	kW
Single-phase AC23A				
		110V	kW	
		220/230V	kW	
		380/440V	kW	
Rated operational current in DC				

DC21A	48V	A	25
	60V	A	25
	110V	A	4
	220V	A	0.7

DC23A (poles in series)	24V	A	25 (1)
	48V	A	25 (2)
	60V	A	25 (3)
	110V	A	12 (3)
	220V	A	10 (4)

DC13	24V	A	25
	48V	A	20
	60V	A	16
	110V	A	1.5
	220V	A	0.4

Power dissipation		W	1.1
-------------------	--	---	-----

**Mechanical features**

Terminals screw			M3.5
-----------------	--	--	------

Tightening torque for terminals max		Nm	0.8
-------------------------------------	--	----	-----

**Conductor size**

AWG - Rigid cable	min	AWG	20
	Max	AWG	10

AWG - Flexible cable	min	AWG	20
	Max	AWG	12

Conductor size (IEC) - Flexible cable	min	mm <sup>2</sup>	0.5
	Max	mm <sup>2</sup>	4

Conductor size (IEC) - Rigid cable	min	mm <sup>2</sup>	0.5
	Max	mm <sup>2</sup>	4

Mechanical life		cycles	5x10 <sup>6</sup>
-----------------	--	--------	-------------------

**UL technical data**

Motor power for direct-on-line control for three-phase motor	120V	HP	3
	240V	HP	5
	480V	HP	10
	600V	HP	15

for single-phase motor	120V	HP	1.5
	240V	HP	3

**Ambient conditions**

**Temperature**

Operating temperature	min	°C	-25
	max	°C	+55

Storage temperature	min	°C	-40
	max	°C	+70

**Resistance & Protection**

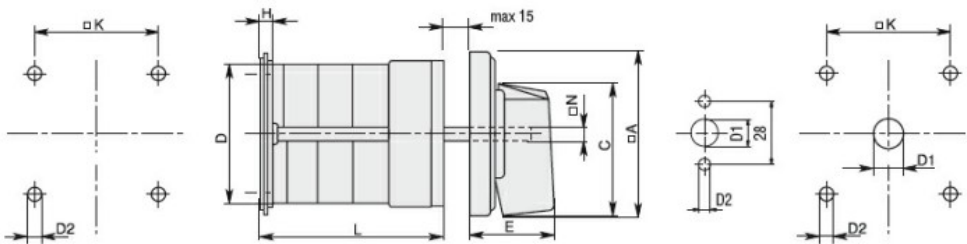
Frontal IP degree

IP40

Terminals IP degree

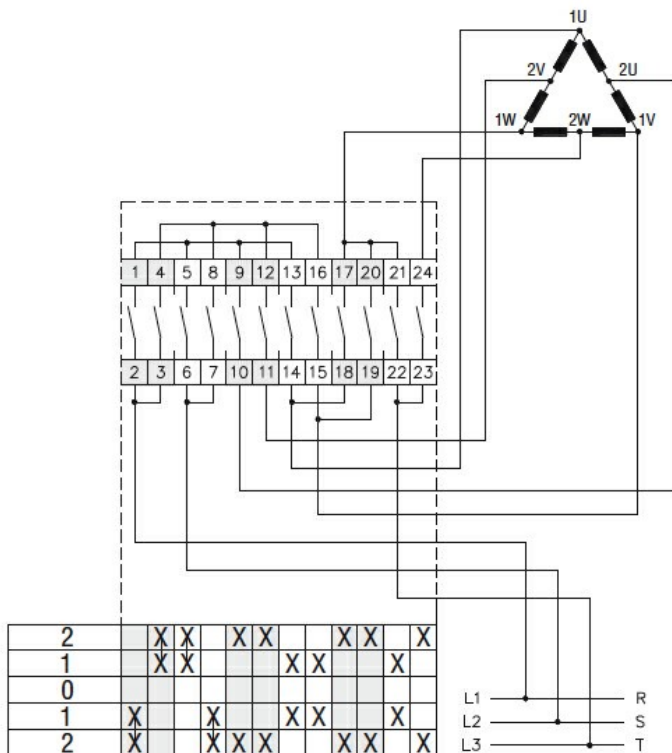
IP00

**Dimensions**



Series	Dimensions								L Number of elements											
	□A	C	ØD	ØD2	E	H	□K	□N	1	2	3	4	5	6	7	8	9	10	11	12
7GN12	48	39.5	39	5	26.5	5	36	6	38.1	47.8	57.5	67.2	76.9	86.6	96.3	106	115.7	125.4	135.1	144.8
7GN20	48	39.5	39	5	26.5	5	36	6	38.1	47.8	57.5	67.2	76.9	86.6	96.3	106	115.7	125.4	135.1	144.8
7GN25	48	39.5	43	5	26.5	5	36	6	42.5	56.1	69.7	83.3	96.9	110.5	124.1	137.7	151.3	164.9	178.5	192.1
7GN32	65	53	58	5	34.5	5.5	48	7	48.5	63.6	78.7	93.8	108.9	124	139.1	154.2	169.3	184.4	199.5	214.6
7GN40	65	53	58	5	34.5	5.5	48	7	48.5	63.6	78.7	93.8	108.9	124	139.1	154.2	169.3	184.4	199.5	214.6
7GN63	65	53	62	6	34.5	7.5	68	7	53.3	71.4	89.5	107.6	125.7	143.8	161.9	180	198.1	216.2	234.3	252.4
7GN125	90	70.5	86	6	41.4	7.5	68	9	74.8	103.9	133	162.1	191.2	220.3	249.4	278.5	307.6	336.7	365.8	394.9

**Wiring diagrams**



**Certifications and compliance**

**Compliance**

CSA C22.2 n° 14

IEC/EN/BS 60947-1

IEC/EN/BS 60947-3

IEC/EN/BS 60947-5-1

UL60947-4-1

**Certificates**

cCSAus

EAC

UL

ETIM classification

ETIM 8.0

EC001029 -  
Selector switch,  
complete