

Product designation				Rotary cam switches
Product type designation				7GN25
<b>General characteristics</b>				
Switching diagram				19 - Dahlander motor control switch 0-1-2
N° of elements				4
Mounting form				O - Rear mounting with black handle
<b>Contact characteristics</b>				
Rated insulation voltage $U_i$	IEC/EN	V	690	
	UL/CSA	V	600	
Rated impulse withstand voltage $U_{imp}$		kV	6	
Conventional free air thermal current $I_{th}$	IEC/EN	A	25	
	UL/CSA	A	30	
Rated operational voltage		V	480	
Rated operational impulse voltage		kV	4	
Maximum fuse size for short-circuit protection $I_n$ (gG)	10kA	A	25	
	15kA	A	25	
	25kA	A	25	
Rated short time current $I_{cw}$		1s	kA	400
				10/5 mA/V
Conductivity				10/5 mA/V
Operational current $I_e$ IEC/EN	AC1/AC21A			A 25
	AC15			
	110V	A	16	
	220/230V	A	12	
	380/400V	A	8	
	660/690V	A	2	
Rated operational power in AC	Three-phase AC-3			
	220/230V	kW	5.5	
	380/440V	kW	7.5	
	500/690V	kW	7.5	
	Single-phase AC-3			
	110V	kW	1.5	
	220/230V	kW	3	
	380/440V	kW	5.5	
	Three-phase AC23A			
	220/230V	kW	6.5	
	380/440V	kW	11	
	500/690V	kW	11	
Single-phase AC23A				
110V	kW	1.5		
220/230V	kW	3.7		
380/440V	kW	5.5		

**Rated operational current in DC**

DC21A				
	48V	A	25	
	60V	A	25	
	110V	A	4	
	220V	A	0.7	
DC23A (poles in series)				
	24V	A	25 (1)	
	48V	A	25 (2)	
	60V	A	25 (3)	
	110V	A	12 (3)	
	220V	A	10 (4)	
DC13				
	24V	A	25	
	48V	A	20	
	60V	A	16	
	110V	A	1.5	
	220V	A	0.4	
Power dissipation		W	1.1	
<b>Mechanical features</b>				
Terminals screw				M3.5
Tightening torque for terminals max		Nm	0.8	
Conductor size				
AWG - Rigid cable				
	min	AWG	20	
	Max	AWG	10	
AWG - Flexible cable				
	min	AWG	20	
	Max	AWG	12	
Conductor size (IEC) - Flexible cable				
	min	mm <sup>2</sup>	0.5	
	Max	mm <sup>2</sup>	4	
Conductor size (IEC) - Rigid cable				
	min	mm <sup>2</sup>	0.5	
	Max	mm <sup>2</sup>	4	
Mechanical life		cycles	5x10 <sup>6</sup>	
<b>UL technical data</b>				
Motor power for direct-on-line control				
for three-phase motor				
	120V	HP	3	
	240V	HP	5	
	480V	HP	10	
	600V	HP	15	
for single-phase motor				
	120V	HP	1.5	
	240V	HP	3	
<b>Ambient conditions</b>				
Temperature				
Operating temperature				
	min	°C	-25	
	max	°C	+55	
Storage temperature				
	min	°C	-40	
	max	°C	+70	
<b>Resistance &amp; Protection</b>				

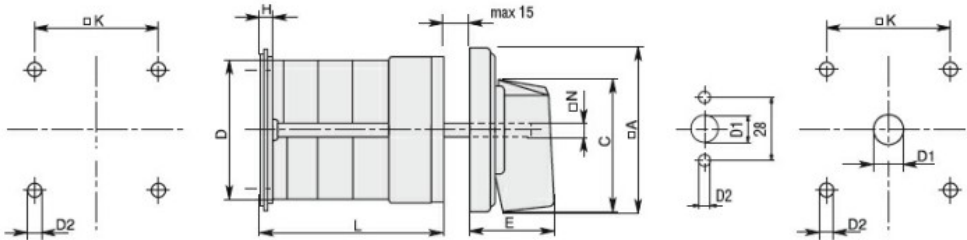
Frontal IP degree

IP40

Terminals IP degree

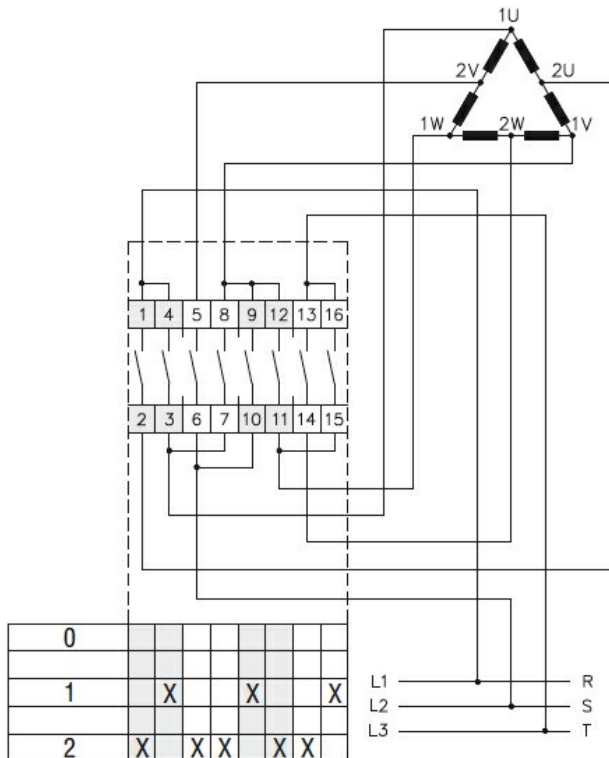
IP00

**Dimensions**



Series	Dimensions								L Number of elements											
	□A	C	ØD	ØD2	E	H	□K	□N	1	2	3	4	5	6	7	8	9	10	11	12
7GN12	48	39.5	39	5	26.5	5	36	6	38.1	47.8	57.5	67.2	76.9	86.6	96.3	106	115.7	125.4	135.1	144.8
7GN20	48	39.5	39	5	26.5	5	36	6	38.1	47.8	57.5	67.2	76.9	86.6	96.3	106	115.7	125.4	135.1	144.8
7GN25	48	39.5	43	5	26.5	5	36	6	42.5	56.1	69.7	83.3	96.9	110.5	124.1	137.7	151.3	164.9	178.5	192.1
7GN32	65	53	58	5	34.5	5.5	48	7	48.5	63.6	78.7	93.8	108.9	124	139.1	154.2	169.3	184.4	199.5	214.6
7GN40	65	53	58	5	34.5	5.5	48	7	48.5	63.6	78.7	93.8	108.9	124	139.1	154.2	169.3	184.4	199.5	214.6
7GN63	65	53	62	6	34.5	7.5	68	7	53.3	71.4	89.5	107.6	125.7	143.8	161.9	180	198.1	216.2	234.3	252.4
7GN125	90	70.5	86	6	41.4	7.5	68	9	74.8	103.9	133	162.1	191.2	220.3	249.4	278.5	307.6	336.7	365.8	394.9

**Wiring diagrams**



**Certifications and compliance**

**Compliance**

- CSA C22.2 n° 14
- IEC/EN/BS 60947-1
- IEC/EN/BS 60947-3
- IEC/EN/BS 60947-5-1
- UL60947-4-1

**Certificates**

cCSAus

EAC

UL

ETIM classification

ETIM 8.0

EC001029 -  
Selector switch,  
complete