



Product designation

Rotary cam switches

Product type designation

7GN20

**General characteristics**

Switching diagram

92 - ON/OFF switch 4 poles

N° of elements

2

Mounting form

O48 - Modular service cover for 35mm din rail mounting with black handle

**Contact characteristics**

Rated insulation voltage  $U_i$

IEC/EN	V	690
UL/CSA	V	600

Rated impulse withstand voltage  $U_{imp}$

kV 6

Conventional free air thermal current  $I_{th}$

IEC/EN	A	20
UL/CSA	A	20

Rated operational voltage

V 480

Rated operational impulse voltage

kV 4

Maximum fuse size for short-circuit protection  $I_n$  (gG)

10kA	A	20
15kA	A	16
25kA	A	16

Rated short time current  $I_{cw}$

1s kA 250

Conductivity

10/5 mA/V

Operational current  $I_e$  IEC/EN

AC1/AC21A

A 20

AC15

110V	A	10
220/230V	A	8
380/400V	A	6
660/690V	A	1.5

Rated operational power in AC

Three-phase AC-3

220/230V	kW	3
380/440V	kW	5.5
500/690V	kW	5.5

Single-phase AC-3

110V	kW	0.8
220/230V	kW	2.2
380/440V	kW	3

Three-phase AC23A			
	220/230V	kW	5
	380/440V	kW	7.5
	500/690V	kW	7.5
Single-phase AC23A			
	110V	kW	0.8
	220/230V	kW	2.5
	380/440V	kW	3.7
Rated operational current in DC			
DC21A			
	48V	A	20
	60V	A	20
	110V	A	4
	220V	A	0.6
	440V	A	0.25
DC23A (poles in series)			
	24V	A	20 (1)
	48V	A	20 (2)
	60V	A	20 (3)
	110V	A	10 (3)
	220V	A	8 (4)
DC13			
	24V	A	20
	48V	A	16
	60V	A	12
	110V	A	1
	220V	A	0.4
	440V	A	0.15
Power dissipation		W	0.8
<b>Mechanical features</b>			
Terminals screw			M3
Tightening torque for terminals max		Nm	0.5
Conductor size			
AWG - Rigid cable			
	min	AWG	20
	Max	AWG	12
AWG - Flexible cable			
	min	AWG	20
	Max	AWG	14
Conductor size (IEC) - Flexible cable			
	min	mm <sup>2</sup>	0.5
	Max	mm <sup>2</sup>	2.5
Conductor size (IEC) - Rigid cable			
	min	mm <sup>2</sup>	0.5
	Max	mm <sup>2</sup>	2.5
Mechanical life		cycles	5x10 <sup>6</sup>
<b>UL technical data</b>			
Motor power for direct-on-line control			
for three-phase motor			
	120V	HP	1.5
	240V	HP	3
	480V	HP	7.5
	600V	HP	10
for single-phase motor			

120V	HP	0.75
240V	HP	2

**Ambient conditions**

Temperature

Operating temperature

min	°C	-25
max	°C	+55

Storage temperature

min	°C	-40
max	°C	+70

**Resistance & Protection**

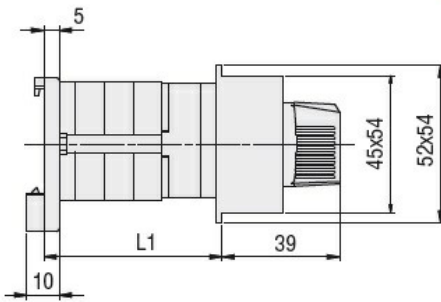
Frontal IP degree

IP40

Terminals IP degree

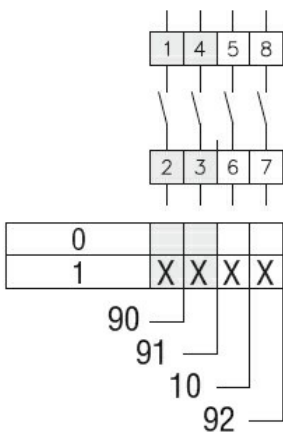
IP00

**Dimensions**



Series	L1		
	1	2	3
7GN12	38.1	47.8	57.5
7GN20	38.1	47.8	57.5
7GN25	42.5	56.1	69.7

**Wiring diagrams**



**Certifications and compliance**

Compliance

- CSA C22.2 n° 14
- IEC/EN/BS 60947-1
- IEC/EN/BS 60947-3
- IEC/EN/BS 60947-5-1
- UL60947-4-1

Certificates

cCSAus

EAC

UL

ETIM classification

ETIM 8.0

EC001029 -  
Selector switch,  
complete