

Product designation				Rotary cam switches
Product type designation				7GN20
General characteristics				
Switching diagram				66 - Voltmeter switch for phase-neutral and phase-phase voltages
N° of elements				3
Mounting form				O48 - Modular service cover for 35mm din rail mounting with black handle
Contact characteristics				
Rated insulation voltage U_i	IEC/EN	V	690	
	UL/CSA	V	600	
Rated impulse withstand voltage U_{imp}			kV	6
Conventional free air thermal current I_{th}	IEC/EN	A	20	
	UL/CSA	A	20	
Rated operational voltage			V	480
Rated operational impulse voltage			kV	4
Maximum fuse size for short-circuit protection I_n (gG)	10kA	A	20	
	15kA	A	16	
	25kA	A	16	
Rated short time current I_{cw}			1s	kA
				250
Conductivity				10/5 mA/V
Operational current I_e IEC/EN	AC1/AC21A			A
				20
AC15	110V	A	10	
	220/230V	A	8	
	380/400V	A	6	
	660/690V	A	1.5	
Rated operational power in AC	Three-phase AC-3			
	220/230V	kW	3	
	380/440V	kW	5.5	
	500/690V	kW	5.5	
	Single-phase AC-3			
	110V	kW	0.8	
	220/230V	kW	2.2	
	380/440V	kW	3	
	Three-phase AC23A			
	220/230V	kW	5	
	380/440V	kW	7.5	
	500/690V	kW	7.5	
Single-phase AC23A				

	110V	kW	0.8
	220/230V	kW	2.5
	380/440V	kW	3.7
<hr/>			
Rated operational current in DC			
DC21A	48V	A	20
	60V	A	20
	110V	A	4
	220V	A	0.6
	440V	A	0.25
<hr/>			
DC23A (poles in series)	24V	A	20 (1)
	48V	A	20 (2)
	60V	A	20 (3)
	110V	A	10 (3)
	220V	A	8 (4)
<hr/>			
DC13	24V	A	20
	48V	A	16
	60V	A	12
	110V	A	1
	220V	A	0.4
	440V	A	0.15
<hr/>			
Power dissipation		W	0.8
Mechanical features			
Terminals screw			M3
Tightening torque for terminals max		Nm	0.5
<hr/>			
Conductor size			
AWG - Rigid cable	min	AWG	20
	Max	AWG	12
<hr/>			
AWG - Flexible cable	min	AWG	20
	Max	AWG	14
<hr/>			
Conductor size (IEC) - Flexible cable	min	mm ²	0.5
	Max	mm ²	2.5
<hr/>			
Conductor size (IEC) - Rigid cable	min	mm ²	0.5
	Max	mm ²	2.5
<hr/>			
Mechanical life		cycles	5x10 ⁶
UL technical data			
Motor power for direct-on-line control			
for three-phase motor	120V	HP	1.5
	240V	HP	3
	480V	HP	7.5
	600V	HP	10
<hr/>			
for single-phase motor	120V	HP	0.75
	240V	HP	2

Ambient conditions

Temperature

Operating temperature

min	°C	-25
max	°C	+55

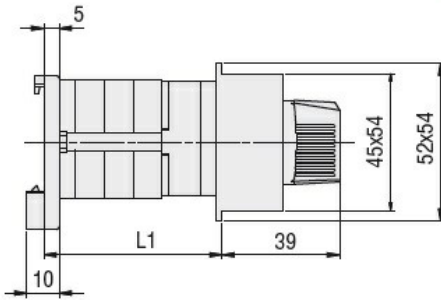
Storage temperature

min	°C	-40
max	°C	+70

Resistance & Protection

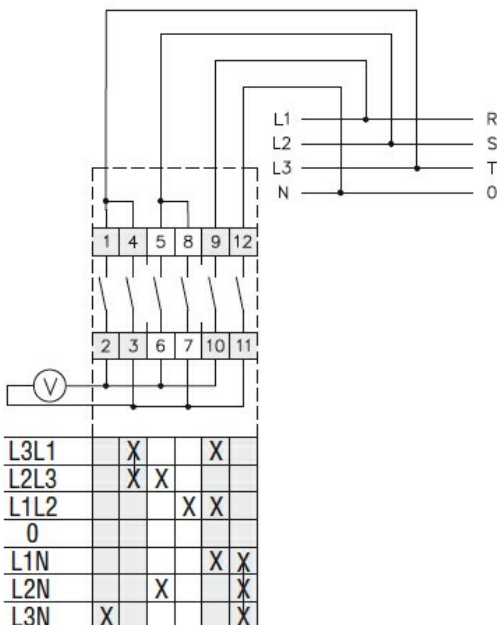
Frontal IP degree	IP40
Terminals IP degree	IP00

Dimensions



Series	L1		
	1	2	3
7GN12	38.1	47.8	57.5
7GN20	38.1	47.8	57.5
7GN25	42.5	56.1	69.7

Wiring diagrams



Certifications and compliance

Compliance

- CSA C22.2 n° 14
- IEC/EN/BS 60947-1
- IEC/EN/BS 60947-3
- IEC/EN/BS 60947-5-1
- UL60947-4-1

Certificates

cCSAus

EAC

UL

ETIM classification

ETIM 8.0

EC001029 -
Selector switch,
complete