

Product designation				Enclosed rotary cam switch	
Product type designation				7GN20	
General characteristics					
Switching diagram				12 - Star-delta motor starter switch	
N° of elements				4	
Mounting form				P25 - Plastic enclosure with red/yellow handle	
Contact characteristics					
Rated insulation voltage U_i	IEC/EN	V	690		
	UL/CSA	V	600		
Rated impulse withstand voltage U_{imp}		kV	6		
Conventional free air thermal current I_{th}	IEC/EN	A	20		
	UL/CSA	A	20		
Rated operational voltage		V	480		
Rated operational impulse voltage		kV	4		
Maximum fuse size for short-circuit protection I_n (gG)	10kA	A	20		
	15kA	A	16		
	25kA	A	16		
Rated short time current I_{cw}	1s	kA	250		
Conductivity			10/5 mA/V		
Operational current I_e IEC/EN	AC1/AC21A		A	20	
	AC15	110V	A	10	
		220/230V	A	8	
		380/400V	A	6	
		660/690V	A	1.5	
	Rated operational power in AC	Three-phase AC-3	220/230V	kW	3
			380/440V	kW	5.5
500/690V			kW	5.5	
Single-phase AC-3		110V	kW	0.8	
		220/230V	kW	2.2	
		380/440V	kW	3	
Three-phase AC23A	220/230V	kW	5		
	380/440V	kW	7.5		
	500/690V	kW	7.5		
Single-phase AC23A	110V	kW	0.8		
	220/230V	kW	2.5		
	380/440V	kW	3.7		
Rated operational current in DC					

DC21A				
	48V	A	20	
	60V	A	20	
	110V	A	4	
	220V	A	0.6	
	440V	A	0.25	
DC23A (poles in series)				
	24V	A	20 (1)	
	48V	A	20 (2)	
	60V	A	20 (3)	
	110V	A	10 (3)	
	220V	A	8 (4)	
DC13				
	24V	A	20	
	48V	A	16	
	60V	A	12	
	110V	A	1	
	220V	A	0.4	
	440V	A	0.15	
Power dissipation		W	0.8	
Mechanical features				
Terminals screw			M3	
Tightening torque for terminals max		Nm	0.5	
Conductor size				
AWG - Rigid cable				
	min	AWG	20	
	Max	AWG	12	
AWG - Flexible cable				
	min	AWG	20	
	Max	AWG	14	
Conductor size (IEC) - Flexible cable				
	min	mm ²	0.5	
	Max	mm ²	2.5	
Conductor size (IEC) - Rigid cable				
	min	mm ²	0.5	
	Max	mm ²	2.5	
Mechanical life		cycles	5x10 ⁶	
UL technical data				
Motor power for direct-on-line control				
for three-phase motor				
	120V	HP	1.5	
	240V	HP	3	
	480V	HP	7.5	
	600V	HP	10	
for single-phase motor				
	120V	HP	0.75	
	240V	HP	2	
Ambient conditions				
Temperature				
Operating temperature				
	min	°C	-25	
	max	°C	+55	
Storage temperature				
	min	°C	-40	

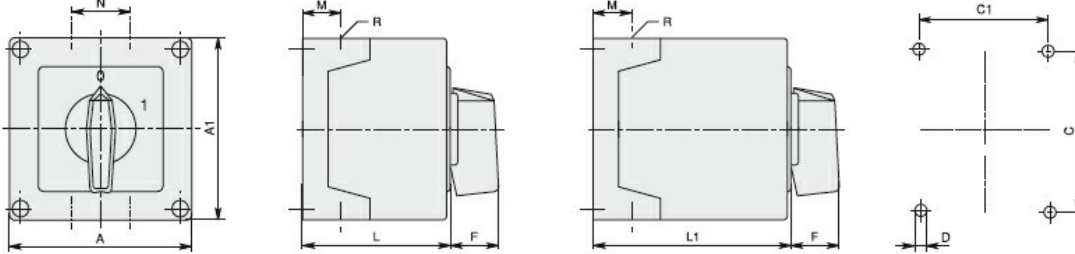
max °C +70

Resistance & Protection

Frontal IP degree IP65

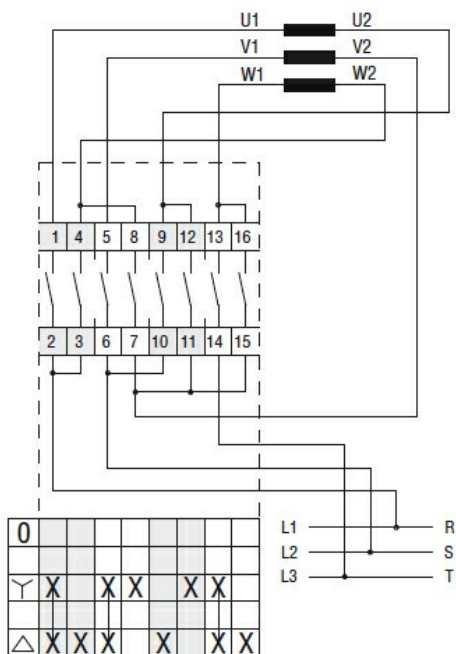
Terminals IP degree IP00

Dimensions



Series	Enclosure size	Number of elements		Dimensions										Cable entry	Protection degree
		L	L1	A	A1	C	C1	D	F	M	N	L	L1		
7GN12	75x75	1-2	3-4	75	75	50	64	4.5	19	14	28	57.5	79.8	4xPG13.5	IP65
7GN20		1-2	3-4												
7GN25		1	2-3												
7GN12	90x90	1-3	4-6	90	90	79	63	4.5	25	19	30	71.3	98.3	4xPG16	IP65
7GN20		1-3	4-6												
7GN25		1-2	3-4												
7GN32		1-2	3-4												
7GN40		1	2-3												
7GN12	110x110	1-4	5-8	110	110	98.4	83	4.5	32	21	39.5	85.5	119.5	4xPG21	IP65
7GN20		1-4	5-8												
7GN25		1-3	4-5												
7GN32		1-3	4-5												
7GN40		1-2	3-5												
7GN63		1-2	3-4												
7GN32	125x175	1-3	4-5	125	175	146	112	5.5	32	21	68	84.3	118.3	4xPG21 2xPG11	IP65
7GN40		1-2	3-4												
7GN63		1-2	3-4												
7GN125		1	2												
7GN32	180x254	1-5	6-8	180	254	120	190	5.5	32	35	76	121	175	4xPG29 2xPG11	IP65
7GN40		1-4	5-7												
7GN63		1-3	4-6												
7GN125		1-2	3-4												

Wiring diagrams



Certifications and compliance

Compliance

IEC/EN/BS 60947-1

IEC/EN/BS 60947-3

IEC/EN/BS 60947-5-1

Certificates

EAC

ETIM classification

ETIM 8.0

EC001029 -
Selector switch,
complete