



Product designation	Rotary cam switches		
Product type designation	7GN20		
<b>General characteristics</b>			
Switching diagram	10 - ON/OFF switch 3 poles		
N° of elements	2		
Mounting form	U65 - Front mounting with red/yellow handle padlockable in 0 and protection covers		
<b>Contact characteristics</b>			
Rated insulation voltage $U_i$	IEC/EN	V	690
	UL/CSA	V	600
Rated impulse withstand voltage $U_{imp}$		kV	6
Conventional free air thermal current $I_{th}$	IEC/EN	A	20
	UL/CSA	A	20
Rated operational voltage		V	480
Rated operational impulse voltage		kV	4
Maximum fuse size for short-circuit protection $I_n$ (gG)	10kA	A	20
	15kA	A	16
	25kA	A	16
Rated short time current $I_{cw}$	1s	kA	250
	Conductivity		
Operational current $I_e$ IEC/EN			10/5 mA/V
AC1/AC21A		A	20
AC15			
		110V	A 10
		220/230V	A 8
		380/400V	A 6
		660/690V	A 1.5
Rated operational power in AC			
Three-phase AC-3			
		220/230V	kW 3
		380/440V	kW 5.5
		500/690V	kW 5.5
Single-phase AC-3			
		110V	kW 0.8
		220/230V	kW 2.2

	380/440V	kW	3
Three-phase AC23A	220/230V	kW	5
	380/440V	kW	7.5
	500/690V	kW	7.5
Single-phase AC23A	110V	kW	0.8
	220/230V	kW	2.5
	380/440V	kW	3.7
Rated operational current in DC			
DC21A	48V	A	20
	60V	A	20
	110V	A	4
	220V	A	0.6
	440V	A	0.25
DC23A (poles in series)	24V	A	20 (1)
	48V	A	20 (2)
	60V	A	20 (3)
	110V	A	10 (3)
	220V	A	8 (4)
DC13	24V	A	20
	48V	A	16
	60V	A	12
	110V	A	1
	220V	A	0.4
	440V	A	0.15
Power dissipation		W	0.8
<b>Mechanical features</b>			
Terminals screw			M3
Tightening torque for terminals max		Nm	0.5
Conductor size			
AWG - Rigid cable			
	min	AWG	20
	Max	AWG	12
AWG - Flexible cable			
	min	AWG	20
	Max	AWG	14
Conductor size (IEC) - Flexible cable			
	min	mm <sup>2</sup>	0.5
	Max	mm <sup>2</sup>	2.5
Conductor size (IEC) - Rigid cable			
	min	mm <sup>2</sup>	0.5
	Max	mm <sup>2</sup>	2.5
Mechanical life		cycles	5x10 <sup>6</sup>
<b>UL technical data</b>			
Motor power for direct-on-line control for three-phase motor			
	120V	HP	1.5
	240V	HP	3
	480V	HP	7.5
	600V	HP	10

for single-phase motor

120V	HP	0.75
240V	HP	2

**Ambient conditions**

Temperature

Operating temperature

min	°C	-25
max	°C	+55

Storage temperature

min	°C	-40
max	°C	+70

**Resistance & Protection**

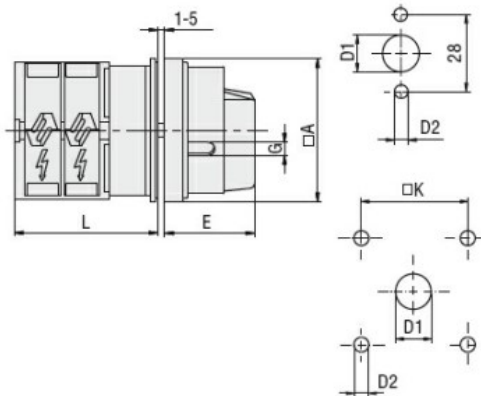
Frontal IP degree

IP40

Terminals IP degree

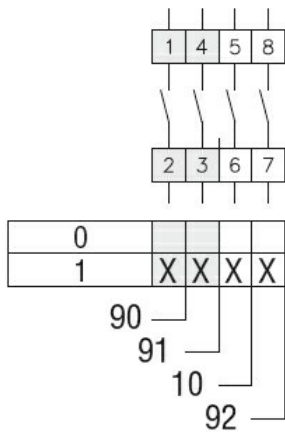
IP00

**Dimensions**



Series	Dimensions						L			
	□A	D1	D2	E	G	□K	1	2	3...12	
7GN12	65	12	5	34.2	5	36	36.1	45.8	55.5	142.8
7GN20	65	12	5	34.2	5	36	36.1	45.8	55.5	142.8
7GN25	65	12	5	34.2	5	36	40.5	54.1	67.7	190.1
7GN32	65	14	5	38	6	48	46.5	61.6	76.7	212.6
7GN40	65	14	5	38	6	48	46.5	61.6	76.7	212.6
7GN63	65	14	5	38	6	48	50.3	68.4	86.5	249.4
7GN125	90	16	6	49	7	68	67.3	96.4	125.5	394.9

**Wiring diagrams**



**Certifications and compliance**

Compliance

- CSA C22.2 n° 14
- IEC/EN/BS 60947-1
- IEC/EN/BS 60947-3
- IEC/EN/BS 60947-5-1
- UL60947-4-1

Certificates

- cCSAus
- EAC
- UL

**ETIM classification**

ETIM 8.0

EC001029 -  
Selector switch,  
complete