

Product designation				Enclosed rotary cam switch	
Product type designation				7GN125	
General characteristics					
Switching diagram				19 - Dahlander motor control switch 0-1-2	
N° of elements				4	
Mounting form				P - Plastic enclosure with black handle	
Contact characteristics					
Rated insulation voltage U_i	IEC/EN	V	690		
	UL/CSA	V	600		
Rated impulse withstand voltage U_{imp}		kV	6		
Conventional free air thermal current I_{th}	IEC/EN	A	125		
	UL/CSA	A	130		
Rated operational voltage		V	690		
Rated operational impulse voltage		kV	6		
Maximum fuse size for short-circuit protection I_n (gG)	10kA	A	125		
	15kA	A	100		
	25kA	A	100		
	50kA	A	100		
	63kA	A	100		
Rated short time current I_{cw}		1s	kA	2100	
				10/5 mA/V	
Conductivity				10/5 mA/V	
Operational current I_e IEC/EN	AC1/AC21A			A	125
	AC15				
Rated operational power in AC	Three-phase AC-3				
	220/230V	kW	18.5		
	380/440V	kW	37		
	500/690V	kW	33		
	Single-phase AC-3				
	110V	kW	5		
	220/230V	kW	11		
	380/440V	kW	15		
	Three-phase AC23A				
	220/230V	kW	30		
	380/440V	kW	45		
	500/690V	kW	37		
Single-phase AC23A					
110V	kW	5			
220/230V	kW	11			

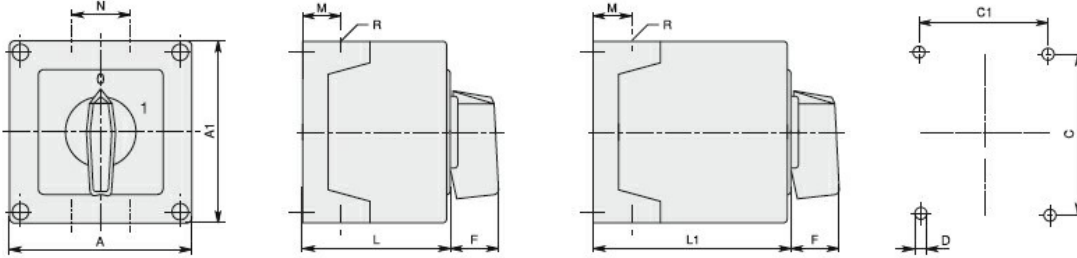
		380/440V	kW	15
Rated operational current in DC				
DC21A		48V	A	125
		60V	A	80
		110V	A	10
		220V	A	1.2
DC23A (poles in series)		24V	A	125 (1)
		48V	A	125 (2)
		60V	A	125 (3)
		110V	A	50 (3)
		220V	A	20 (4)
DC13		24V	A	125
		48V	A	100
		60V	A	50
		110V	A	4
Power dissipation			W	6.3
Mechanical features				
Terminals screw				M2X5
Tightening torque for terminals max			Nm	2
Conductor size				
AWG - Rigid cable		min	AWG	14
		Max	AWG	1/0
AWG - Flexible cable		min	AWG	14
		Max	AWG	1/0
Conductor size (IEC) - Flexible cable		min	mm ²	2.5
		Max	mm ²	50
Conductor size (IEC) - Rigid cable		min	mm ²	2.5
		Max	mm ²	50
Mechanical life			cycles	1X10 ⁶
UL technical data				
Motor power for direct-on-line control				
for three-phase motor		120V	HP	15
		240V	HP	25
		480V	HP	50
		600V	HP	40
for single-phase motor		120V	HP	5
		240V	HP	15
Ambient conditions				
Temperature				
Operating temperature		min	°C	-25
		max	°C	+55
Storage temperature		min	°C	-40
		max	°C	+70

Resistance & Protection

Frontal IP degree IP65

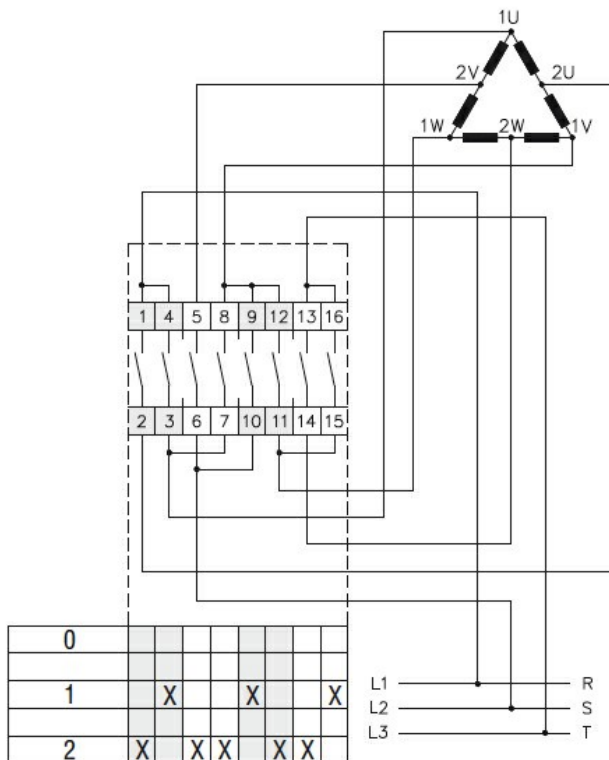
Terminals IP degree IP00

Dimensions



Series	Enclosure size	Number of elements		Dimensions										Cable entry	Protection degree
		L	L1	A	A1	C	C1	D	F	M	N	L	L1		
7GN12	75x75	1-2	3-4	75	75	50	64	4.5	19	14	28	57.5	79.8	4xPG13.5	IP65
7GN20		1-2	3-4												
7GN25		1	2-3												
7GN12	90x90	1-3	4-6	90	90	79	63	4.5	25	19	30	71.3	98.3	4xPG16	IP65
7GN20		1-3	4-6												
7GN25		1-2	3-4												
7GN32		1-2	3-4												
7GN40		1	2-3												
7GN12	110x110	1-4	5-8	110	110	98.4	83	4.5	32	21	39.5	85.5	119.5	4xPG21	IP65
7GN20		1-4	5-8												
7GN25		1-3	4-5												
7GN32		1-3	4-5												
7GN40		1-2	3-5												
7GN63		1-2	3-4												
7GN32	125x175	1-3	4-5	125	175	146	112	5.5	32	21	68	84.3	118.3	4xPG21 2xPG11	IP65
7GN40		1-2	3-4												
7GN63		1-2	3-4												
7GN125		1	2												
7GN32	180x254	1-5	6-8	180	254	120	190	5.5	32	35	76	121	175	4xPG29 2xPG11	IP65
7GN40		1-4	5-7												
7GN63		1-3	4-6												
7GN125		1-2	3-4												

Wiring diagrams



Certifications and compliance

Compliance

IEC/EN/BS 60947-1
IEC/EN/BS 60947-3
IEC/EN/BS 60947-5-1

Certificates

EAC

ETIM classification

ETIM 8.0

EC001029 -
Selector switch,
complete