

Product designation				Rotary cam switches
Product type designation				7GN125
General characteristics				
Switching diagram				13 - Dahlander motor control switch 1-0-2
N° of elements				4
Mounting form				U65 - Front mounting with red/yellow handle padlockable in 0 and protection covers
Contact characteristics				
Rated insulation voltage U_i	IEC/EN	V	690	
	UL/CSA	V	600	
Rated impulse withstand voltage U_{imp}		kV	6	
Conventional free air thermal current I_{th}	IEC/EN	A	125	
	UL/CSA	A	130	
Rated operational voltage		V	690	
Rated operational impulse voltage		kV	6	
Maximum fuse size for short-circuit protection I_n (gG)	10kA	A	125	
	15kA	A	100	
	25kA	A	100	
	50kA	A	100	
	63kA	A	100	
Rated short time current I_{cw}	1s	kA	2100	
				10/5 mA/V
Conductivity				10/5 mA/V
Operational current I_e IEC/EN	AC1/AC21A			A 125
	AC15			
Rated operational power in AC	Three-phase AC-3			
	220/230V	kW	18.5	
	380/440V	kW	37	
	500/690V	kW	33	
	Single-phase AC-3			
110V	kW	5		
220/230V	kW	11		
380/440V	kW	15		
Three-phase AC23A				
220/230V	kW	30		
380/440V	kW	45		
500/690V	kW	37		

Single-phase AC23A			
	110V	kW	5
	220/230V	kW	11
	380/440V	kW	15
Rated operational current in DC			
DC21A			
	48V	A	125
	60V	A	80
	110V	A	10
	220V	A	1.2
DC23A (poles in series)			
	24V	A	125 (1)
	48V	A	125 (2)
	60V	A	125 (3)
	110V	A	50 (3)
	220V	A	20 (4)
DC13			
	24V	A	125
	48V	A	100
	60V	A	50
	110V	A	4
Power dissipation		W	6.3
Mechanical features			
Terminals screw			M2X5
Tightening torque for terminals max		Nm	2
Conductor size			
AWG - Rigid cable			
	min	AWG	14
	Max	AWG	1/0
AWG - Flexible cable			
	min	AWG	14
	Max	AWG	1/0
Conductor size (IEC) - Flexible cable			
	min	mm ²	2.5
	Max	mm ²	50
Conductor size (IEC) - Rigid cable			
	min	mm ²	2.5
	Max	mm ²	50
Mechanical life		cycles	1X10 ⁶
UL technical data			
Motor power for direct-on-line control			
for three-phase motor			
	120V	HP	15
	240V	HP	25
	480V	HP	50
	600V	HP	40
for single-phase motor			
	120V	HP	5
	240V	HP	15
Ambient conditions			
Temperature			
Operating temperature			
	min	°C	-25
	max	°C	+55

Storage temperature

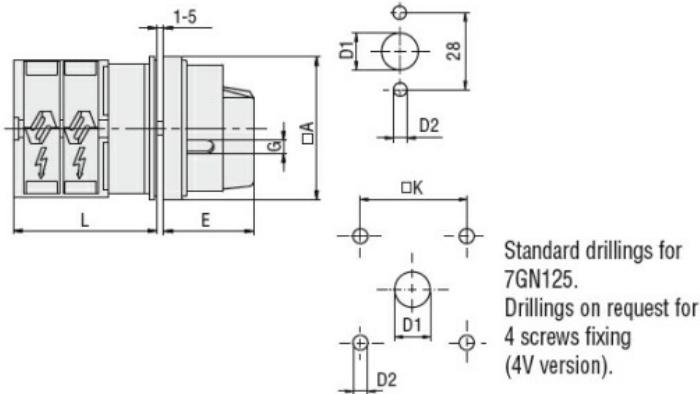
min °C -40
max °C +70

Resistance & Protection

Frontal IP degree IP40

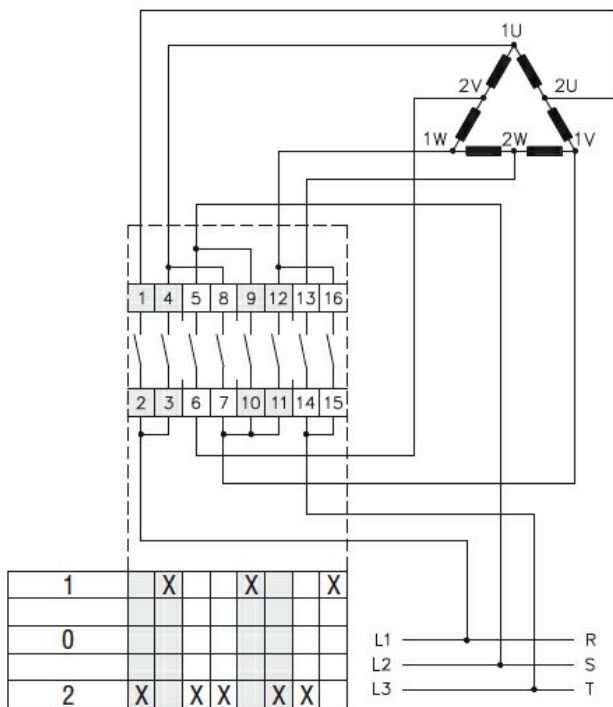
Terminals IP degree IP00

Dimensions



Series	Dimensions						L			
	□A	D1	D2	E	G	□K	1	2	3...12	
7GN12	65	12	5	34.2	5	36	36.1	45.8	55.5	142.8
7GN20	65	12	5	34.2	5	36	36.1	45.8	55.5	142.8
7GN25	65	12	5	34.2	5	36	40.5	54.1	67.7	190.1
7GN32	65	14	5	38	6	48	46.5	61.6	76.7	212.6
7GN40	65	14	5	38	6	48	46.5	61.6	76.7	212.6
7GN63	65	14	5	38	6	48	50.3	68.4	86.5	249.4
7GN125	90	16	6	49	7	68	67.3	96.4	125.5	394.9

Wiring diagrams



Certifications and compliance

Compliance

- CSA C22.2 n° 14
- IEC/EN/BS 60947-1
- IEC/EN/BS 60947-3
- IEC/EN/BS 60947-5-1
- UL60947-4-1

Certificates

- EAC
- UL

ETIM classification

ETIM 8.0

EC001029 -
Selector switch,
complete