

Product designation				Rotary cam switches
Product type designation				7GN125
<b>General characteristics</b>				
Switching diagram				12 - Star-delta motor starter switch
N° of elements				4
Mounting form				U - Front mounting with black handle
<b>Contact characteristics</b>				
Rated insulation voltage $U_i$	IEC/EN	V	690	
	UL/CSA	V	600	
Rated impulse withstand voltage $U_{imp}$		kV	6	
Conventional free air thermal current $I_{th}$	IEC/EN	A	125	
	UL/CSA	A	130	
Rated operational voltage		V	690	
Rated operational impulse voltage		kV	6	
Maximum fuse size for short-circuit protection $I_n$ (gG)	10kA	A	125	
	15kA	A	100	
	25kA	A	100	
	50kA	A	100	
	63kA	A	100	
Rated short time current $I_{cw}$		1s	kA	2100
				10/5 mA/V
Conductivity				10/5 mA/V
Operational current $I_e$ IEC/EN				
	AC1/AC21A		A	125
AC15	110V	A	40	
	220/230V	A	28	
	380/400V	A	15	
	660/690V	A	5	
Rated operational power in AC				
	Three-phase AC-3	220/230V	kW	18.5
		380/440V	kW	37
		500/690V	kW	33
	Single-phase AC-3	110V	kW	5
		220/230V	kW	11
		380/440V	kW	15
	Three-phase AC23A	220/230V	kW	30
		380/440V	kW	45
		500/690V	kW	37
	Single-phase AC23A	110V	kW	5
		220/230V	kW	11

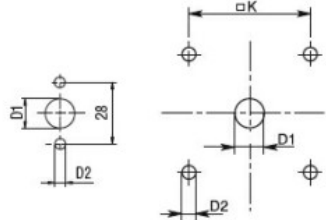
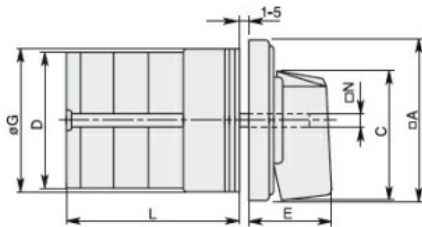
	380/440V	kW	15
Rated operational current in DC			
DC21A	48V	A	125
	60V	A	80
	110V	A	10
	220V	A	1.2
DC23A (poles in series)	24V	A	125 (1)
	48V	A	125 (2)
	60V	A	125 (3)
	110V	A	50 (3)
	220V	A	20 (4)
DC13	24V	A	125
	48V	A	100
	60V	A	50
	110V	A	4
Power dissipation		W	6.3
<b>Mechanical features</b>			
Terminals screw			M2X5
Tightening torque for terminals max		Nm	2
Conductor size			
AWG - Rigid cable	min	AWG	14
	Max	AWG	1/0
AWG - Flexible cable	min	AWG	14
	Max	AWG	1/0
Conductor size (IEC) - Flexible cable	min	mm <sup>2</sup>	2.5
	Max	mm <sup>2</sup>	50
Conductor size (IEC) - Rigid cable	min	mm <sup>2</sup>	2.5
	Max	mm <sup>2</sup>	50
Mechanical life		cycles	1X10 <sup>6</sup>
<b>UL technical data</b>			
Motor power for direct-on-line control			
for three-phase motor	120V	HP	15
	240V	HP	25
	480V	HP	50
	600V	HP	40
for single-phase motor	120V	HP	5
	240V	HP	15
<b>Ambient conditions</b>			
Temperature			
Operating temperature	min	°C	-25
	max	°C	+55
Storage temperature	min	°C	-40
	max	°C	+70

**Resistance & Protection**

Frontal IP degree IP40

Terminals IP degree IP00

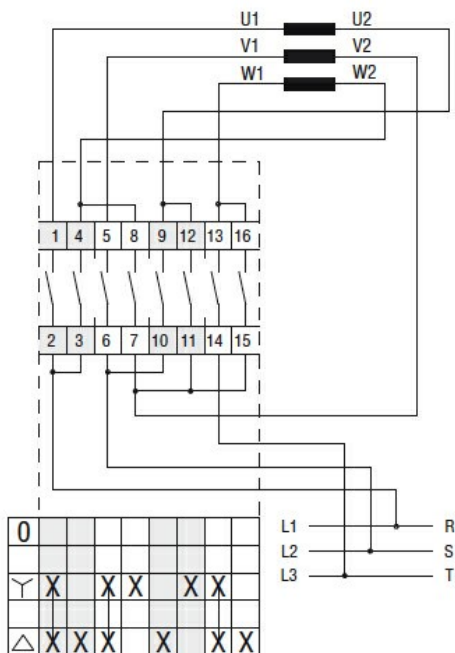
**Dimensions**



Standard drillings for 7GN125.  
Drillings on request for 4 screws fixing  
(4V version).

Series	Dimensions									L Number of elements											
	□A	C	ØD	ØD1	ØD2	E	ØG	□K	□N	1	2	3	4	5	6	7	8	9	10	11	12
7GN12	48	39.5	39	12	5	26.5	38	36	6	36.1	45.8	55.5	65.2	74.9	84.6	94.3	104	113.7	123.4	133.1	142.8
7GN20	48	39.5	39	12	5	26.5	38	36	6	36.1	45.8	55.5	65.2	74.9	84.6	94.3	104	113.7	123.4	133.1	142.8
7GN25	48	39.5	43	12	5	26.5	38	36	6	40.5	54.1	67.7	81.3	94.9	108.5	122.1	135.7	147.3	162.9	176.5	190.1
7GN32	65	53	58	14	5	34.5	58.5	48	7	46.5	61.6	76.7	91.8	106.9	122	137.1	152.2	167.3	182.4	197.5	212.6
7GN40	65	53	58	14	5	34.5	58.5	48	7	46.5	61.6	76.7	91.8	106.9	122	137.1	152.2	167.3	182.4	197.5	212.6
7GN63	65	53	62	14	5	34.5	58.5	48	7	50.3	68.4	86.5	104.6	122.7	140.8	158.9	177	195.1	213.2	231.3	249.4
7GN125	90	70.5	86	16	6	41.5	84	68	9	67.3	96.4	125.5	154.6	183.7	220.3	249.4	278.5	307.6	336.7	365.8	394.9

**Wiring diagrams**



**Certifications and compliance**

**Compliance**

- CSA C22.2 n° 14
- IEC/EN/BS 60947-1
- IEC/EN/BS 60947-3
- IEC/EN/BS 60947-5-1
- UL60947-4-1

**Certificates**

EAC

---

UL

ETIM classification

ETIM 8.0

EC001105 - Off-  
load switch