

Product designation	Enclosed rotary cam switch		
Product type designation	7GN125		
General characteristics			
Switching diagram	12 - Star-delta motor starter switch		
N° of elements	4		
Mounting form	P - Plastic enclosure with black handle		
Contact characteristics			
Rated insulation voltage U_i	IEC/EN	V	690
	UL/CSA	V	600
Rated impulse withstand voltage U_{imp}		kV	6
Conventional free air thermal current I_{th}	IEC/EN	A	125
	UL/CSA	A	130
Rated operational voltage		V	690
Rated operational impulse voltage		kV	6
Maximum fuse size for short-circuit protection I_n (gG)	10kA	A	125
	15kA	A	100
	25kA	A	100
	50kA	A	100
	63kA	A	100
Rated short time current I_{cw}	1s	kA	2100
			10/5 mA/V
Conductivity	10/5 mA/V		
Operational current I_e IEC/EN	AC1/AC21A		
		A	125
AC15	110V	A	40
	220/230V	A	28
	380/400V	A	15
	660/690V	A	5
	Rated operational power in AC		
Three-phase AC-3	220/230V	kW	18.5
	380/440V	kW	37
	500/690V	kW	33
Single-phase AC-3	110V	kW	5
	220/230V	kW	11
	380/440V	kW	15
Three-phase AC23A	220/230V	kW	30
	380/440V	kW	45
	500/690V	kW	37
Single-phase AC23A	110V	kW	5
	220/230V	kW	11

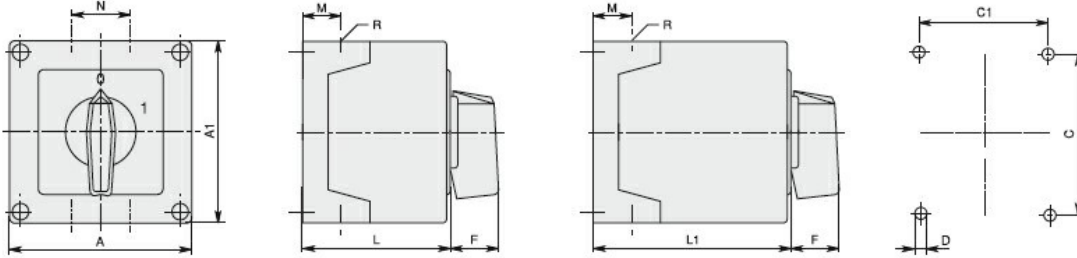
		380/440V	kW	15
Rated operational current in DC				
DC21A		48V	A	125
		60V	A	80
		110V	A	10
		220V	A	1.2
DC23A (poles in series)		24V	A	125 (1)
		48V	A	125 (2)
		60V	A	125 (3)
		110V	A	50 (3)
		220V	A	20 (4)
DC13		24V	A	125
		48V	A	100
		60V	A	50
		110V	A	4
Power dissipation			W	6.3
Mechanical features				
Terminals screw				M2X5
Tightening torque for terminals max			Nm	2
Conductor size				
AWG - Rigid cable		min	AWG	14
		Max	AWG	1/0
AWG - Flexible cable		min	AWG	14
		Max	AWG	1/0
Conductor size (IEC) - Flexible cable		min	mm ²	2.5
		Max	mm ²	50
Conductor size (IEC) - Rigid cable		min	mm ²	2.5
		Max	mm ²	50
Mechanical life			cycles	1X10 ⁶
UL technical data				
Motor power for direct-on-line control				
for three-phase motor		120V	HP	15
		240V	HP	25
		480V	HP	50
		600V	HP	40
for single-phase motor		120V	HP	5
		240V	HP	15
Ambient conditions				
Temperature				
Operating temperature		min	°C	-25
		max	°C	+55
Storage temperature		min	°C	-40
		max	°C	+70

Resistance & Protection

Frontal IP degree IP65

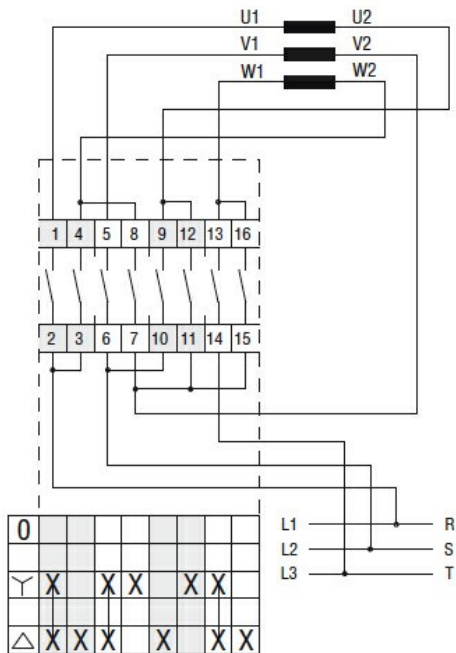
Terminals IP degree IP00

Dimensions



Series	Enclosure size	Number of elements		Dimensions										Cable entry	Protection degree
		L	L1	A	A1	C	C1	D	F	M	N	L	L1		
7GN12	75x75	1-2	3-4	75	75	50	64	4.5	19	14	28	57.5	79.8	4xPG13.5	IP65
7GN20		1-2	3-4												
7GN25		1	2-3												
7GN12	90x90	1-3	4-6	90	90	79	63	4.5	25	19	30	71.3	98.3	4xPG16	IP65
7GN20		1-3	4-6												
7GN25		1-2	3-4												
7GN32		1-2	3-4												
7GN40		1	2-3												
7GN12	110x110	1-4	5-8	110	110	98.4	83	4.5	32	21	39.5	85.5	119.5	4xPG21	IP65
7GN20		1-4	5-8												
7GN25		1-3	4-5												
7GN32		1-3	4-5												
7GN40		1-2	3-5												
7GN63		1-2	3-4												
7GN32	125x175	1-3	4-5	125	175	146	112	5.5	32	21	68	84.3	118.3	4xPG21 2xPG11	IP65
7GN40		1-2	3-4												
7GN63		1-2	3-4												
7GN125		1	2												
7GN32	180x254	1-5	6-8	180	254	120	190	5.5	32	35	76	121	175	4xPG29 2xPG11	IP65
7GN40		1-4	5-7												
7GN63		1-3	4-6												
7GN125		1-2	3-4												

Wiring diagrams



Certifications and compliance

Compliance

IEC/EN/BS 60947-1
IEC/EN/BS 60947-3
IEC/EN/BS 60947-5-1

Certificates

EAC

ETIM classification

ETIM 8.0

EC001029 -
Selector switch,
complete