

Product designation				Rotary cam switches
Product type designation				7GN12
<b>General characteristics</b>				
Switching diagram				26 - 3-phase motor reversing switch with spring return
N° of elements				3
Mounting form				P - Plastic enclosure with black handle
<b>Contact characteristics</b>				
Rated insulation voltage $U_i$	IEC/EN	V	690	
	UL/CSA	V	600	
Rated impulse withstand voltage $U_{imp}$			kV	6
Conventional free air thermal current $I_{th}$	IEC/EN	A	16	
	UL/CSA	A	15	
Rated operational voltage			V	480
Rated operational impulse voltage			kV	4
Maximum fuse size for short-circuit protection $I_n$ (gG)	10kA	A	16	
	15kA	A	10	
	25kA	A	10	
Rated short time current $I_{cw}$			1s	kA
				200
Conductivity				10/5 mA/V
Operational current $I_e$ IEC/EN	AC1/AC21A			A
	AC15			
	110V		A	10
	220/230V		A	8
	380/400V		A	4
	660/690V		A	1.5
	Rated operational power in AC			
Three-phase AC-3				
220/230V		kW	2.5	
380/440V		kW	4	
500/690V		kW	5.5	
Single-phase AC-3				
110V		kW	0.8	
220/230V		kW	1.5	
380/440V		kW	2.2	
Three-phase AC23A				
220/230V		kW	3	
380/440V		kW	5.5	
500/690V		kW	7.5	
Single-phase AC23A				
110V		kW	0.8	
220/230V		kW	1.7	
380/440V		kW	3	

Rated operational current in DC

DC21A

48V	A	12
60V	A	12
110V	A	4
220V	A	0.6
440V	A	0.25

DC23A (poles in series)

24V	A	10 (1)
48V	A	10 (2)
60V	A	10 (3)
110V	A	5 (3)
220V	A	5 (4)

DC13

24V	A	12
48V	A	10
60V	A	8
110V	A	1
220V	A	0.4
440V	A	0.15

Power dissipation

W 0.8

**Mechanical features**

Terminals screw

M3

Tightening torque for terminals max

Nm 0.5

Conductor size

AWG - Rigid cable

min	AWG	20
Max	AWG	12

AWG - Flexible cable

min	AWG	20
Max	AWG	14

Conductor size (IEC) - Flexible cable

min	mm <sup>2</sup>	0.5
Max	mm <sup>2</sup>	2.5

Conductor size (IEC) - Rigid cable

min	mm <sup>2</sup>	0.5
Max	mm <sup>2</sup>	2.5

Mechanical life

cycles 3x10<sup>6</sup>

**UL technical data**

Motor power for direct-on-line control

for three-phase motor

120V	HP	1.5
240V	HP	3

for single-phase motor

120V	HP	0.5
240V	HP	1

**Ambient conditions**

Temperature

Operating temperature

min	°C	-25
max	°C	+55

Storage temperature

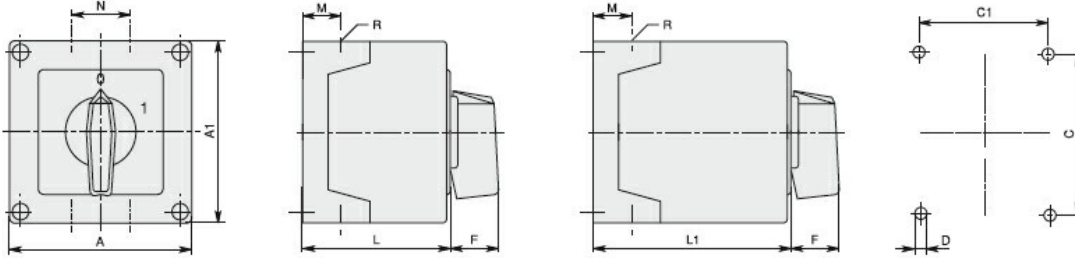
min	°C	-40
max	°C	+70

**Resistance & Protection**

Frontal IP degree IP65

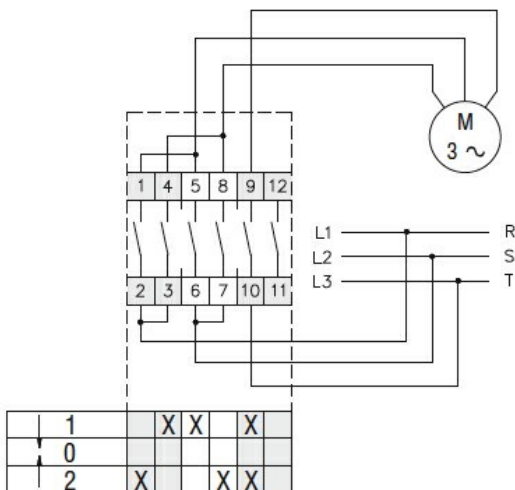
Terminals IP degree IP00

**Dimensions**



Series	Enclosure size	Number of elements		Dimensions										Cable entry	Protection degree
		L	L1	A	A1	C	C1	D	F	M	N	L	L1		
7GN12	75x75	1-2	3-4	75	75	50	64	4.5	19	14	28	57.5	79.8	4xPG13.5	IP65
7GN20		1-2	3-4												
7GN25		1	2-3												
7GN12	90x90	1-3	4-6	90	90	79	63	4.5	25	19	30	71.3	98.3	4xPG16	IP65
7GN20		1-3	4-6												
7GN25		1-2	3-4												
7GN32		1-2	3-4												
7GN40		1	2-3												
7GN12	110x110	1-4	5-8	110	110	98.4	83	4.5	32	21	39.5	85.5	119.5	4xPG21	IP65
7GN20		1-4	5-8												
7GN25		1-3	4-5												
7GN32		1-3	4-5												
7GN40		1-2	3-5												
7GN63		1-2	3-4												
7GN32	125x175	1-3	4-5	125	175	146	112	5.5	32	21	68	84.3	118.3	4xPG21 2xPG11	IP65
7GN40		1-2	3-4												
7GN63		1-2	3-4												
7GN125		1	2												
7GN32	180x254	1-5	6-8	180	254	120	190	5.5	32	35	76	121	175	4xPG29 2xPG11	IP65
7GN40		1-4	5-7												
7GN63		1-3	4-6												
7GN125		1-2	3-4												

**Wiring diagrams**



**Certifications and compliance**

**Compliance**

IEC/EN/BS 60947-1  
IEC/EN/BS 60947-3  
IEC/EN/BS 60947-5-1

**Certificates**

EAC

ETIM classification

ETIM 8.0

EC001029 -  
Selector switch,  
complete