



Product designation				Rotary cam switches
Product type designation				7GN12
<b>General characteristics</b>				
Switching diagram				12 - Star-delta motor starter switch
N° of elements				4
Mounting form				U - Front mounting with black handle
<b>Contact characteristics</b>				
Rated insulation voltage $U_i$	IEC/EN	V	690	
	UL/CSA	V	600	
Rated impulse withstand voltage $U_{imp}$			kV	6
Conventional free air thermal current $I_{th}$	IEC/EN	A	16	
	UL/CSA	A	15	
Rated operational voltage			V	480
Rated operational impulse voltage			kV	4
Maximum fuse size for short-circuit protection $I_n$ (gG)	10kA	A	16	
	15kA	A	10	
	25kA	A	10	
Rated short time current $I_{cw}$			1s	kA
				200
Conductivity				10/5 mA/V
Operational current $I_e$ IEC/EN	AC1/AC21A			A
				16
AC15	110V		A	10
	220/230V		A	8
	380/400V		A	4
	660/690V		A	1.5
Rated operational power in AC	Three-phase AC-3			
	220/230V	kW	2.5	
		380/440V	kW	4
		500/690V	kW	5.5
Single-phase AC-3	110V		kW	0.8
	220/230V		kW	1.5
	380/440V		kW	2.2
Three-phase AC23A				

	220/230V	kW	3
	380/440V	kW	5.5
	500/690V	kW	7.5
<hr/>			
Single-phase AC23A			
	110V	kW	0.8
	220/230V	kW	1.7
	380/440V	kW	3
<hr/>			
Rated operational current in DC			
DC21A			
	48V	A	12
	60V	A	12
	110V	A	4
	220V	A	0.6
	440V	A	0.25
<hr/>			
DC23A (poles in series)			
	24V	A	10 (1)
	48V	A	10 (2)
	60V	A	10 (3)
	110V	A	5 (3)
	220V	A	5 (4)
<hr/>			
DC13			
	24V	A	12
	48V	A	10
	60V	A	8
	110V	A	1
	220V	A	0.4
	440V	A	0.15
<hr/>			
Power dissipation		W	0.8
<b>Mechanical features</b>			
Terminals screw			M3
Tightening torque for terminals max		Nm	0.5
<hr/>			
Conductor size			
AWG - Rigid cable			
	min	AWG	20
	Max	AWG	12
<hr/>			
AWG - Flexible cable			
	min	AWG	20
	Max	AWG	14
<hr/>			
Conductor size (IEC) - Flexible cable			
	min	mm <sup>2</sup>	0.5
	Max	mm <sup>2</sup>	2.5
<hr/>			
Conductor size (IEC) - Rigid cable			
	min	mm <sup>2</sup>	0.5
	Max	mm <sup>2</sup>	2.5
<hr/>			
Mechanical life		cycles	3x10 <sup>6</sup>
<b>UL technical data</b>			
Motor power for direct-on-line control			
for three-phase motor			
	120V	HP	1.5
	240V	HP	3
<hr/>			
for single-phase motor			
	120V	HP	0.5
	240V	HP	1
<hr/>			
<b>Ambient conditions</b>			

Temperature

Operating temperature

min	°C	-25
max	°C	+55

Storage temperature

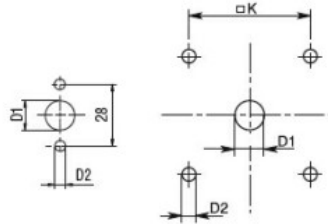
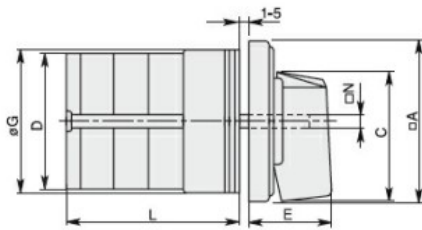
min	°C	-40
max	°C	+70

Resistance & Protection

Frontal IP degree IP40

Terminals IP degree IP00

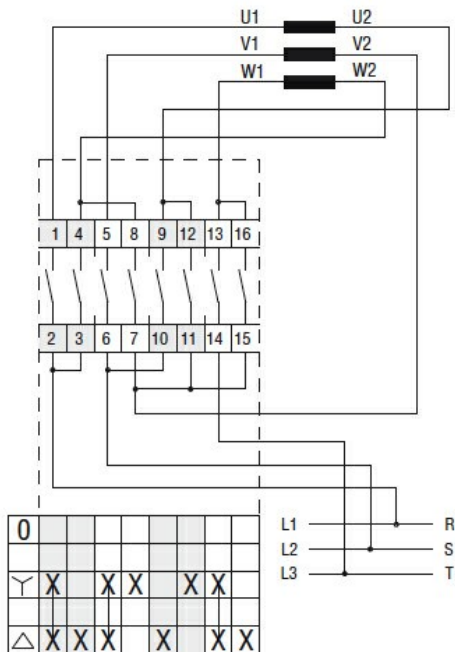
Dimensions



Standard drillings for 7GN125.  
Drillings on request for 4 screws fixing (4V version).

Series	Dimensions									L Number of elements											
	□A	C	ØD	ØD1	ØD2	E	ØG	□K	□N	1	2	3	4	5	6	7	8	9	10	11	12
7GN12	48	39.5	39	12	5	26.5	38	36	6	36.1	45.8	55.5	65.2	74.9	84.6	94.3	104	113.7	123.4	133.1	142.8
7GN20	48	39.5	39	12	5	26.5	38	36	6	36.1	45.8	55.5	65.2	74.9	84.6	94.3	104	113.7	123.4	133.1	142.8
7GN25	48	39.5	43	12	5	26.5	38	36	6	40.5	54.1	67.7	81.3	94.9	108.5	122.1	135.7	147.3	162.9	176.5	190.1
7GN32	65	53	58	14	5	34.5	58.5	48	7	46.5	61.6	76.7	91.8	106.9	122	137.1	152.2	167.3	182.4	197.5	212.6
7GN40	65	53	58	14	5	34.5	58.5	48	7	46.5	61.6	76.7	91.8	106.9	122	137.1	152.2	167.3	182.4	197.5	212.6
7GN63	65	53	62	14	5	34.5	58.5	48	7	50.3	68.4	86.5	104.6	122.7	140.8	158.9	177	195.1	213.2	231.3	249.4
7GN125	90	70.5	86	16	6	41.5	84	68	9	67.3	96.4	125.5	154.6	183.7	220.3	249.4	278.5	307.6	336.7	365.8	394.9

Wiring diagrams



Certifications and compliance

Compliance

CSA C22.2 n° 14

---

IEC/EN/BS 60947-1

---

IEC/EN/BS 60947-3

---

IEC/EN/BS 60947-5-1

---

UL60947-4-1

---

Certificates

cCSAus

---

EAC

---

UL

---

ETIM classification

ETIM 8.0

EC001029 -  
Selector switch,  
complete