



Grey control station LPZP2A8 complete with green flush pushbutton "I" LPCB1133 1NO and mushroom pushbutton turn-to-release LPCB6644 1NC LPZP2B8904

Product designation

Product type designation

General characteristics

Colour	Grey
Material	Polycarbonate
IEC degree of protection	IP66, IP67, IP69K

Ambient conditions

Temperature

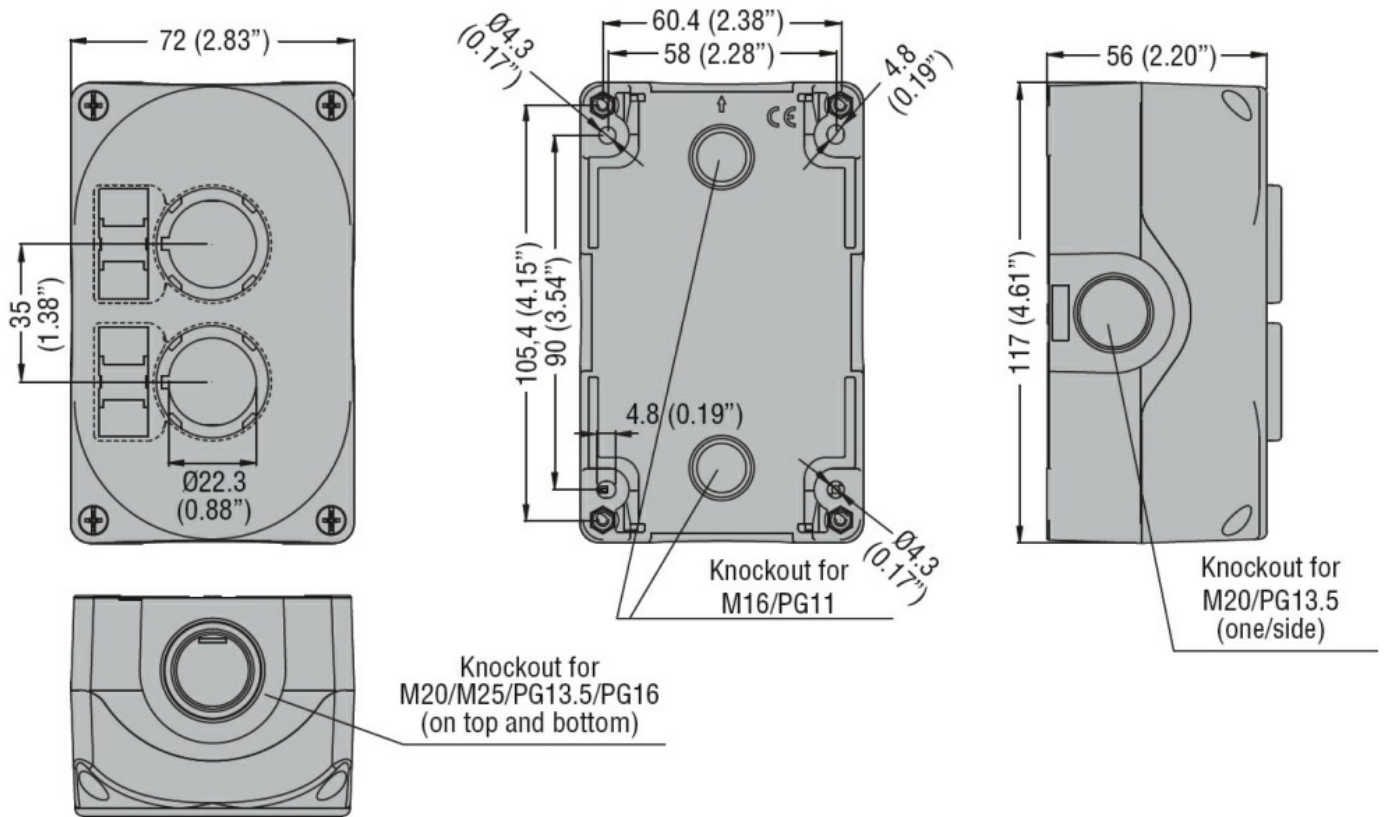
Operating temperature

min	°C	-25
max	°C	+70

Storage temperature

min	°C	-40
max	°C	+85

Dimensions



Certifications and compliance

Certificates

cULus

ETIM classification

ETIM 8.0

EC000225 -
 Control circuit
 devices
 combination in
 enclosure