



Plastic control station without actuators - for 2 actuators
LPZP2A5

Product designation

Product type designation

General characteristics

| | |
|--------------------------|-------------------|
| Colour | Yellow |
| Material | Polycarbonate |
| IEC degree of protection | IP66, IP67, IP69K |

Mechanical features

| | | |
|-------------------------------------|----|-----|
| Tightening torque for terminals max | Nm | 1.8 |
| Weight | g | 152 |

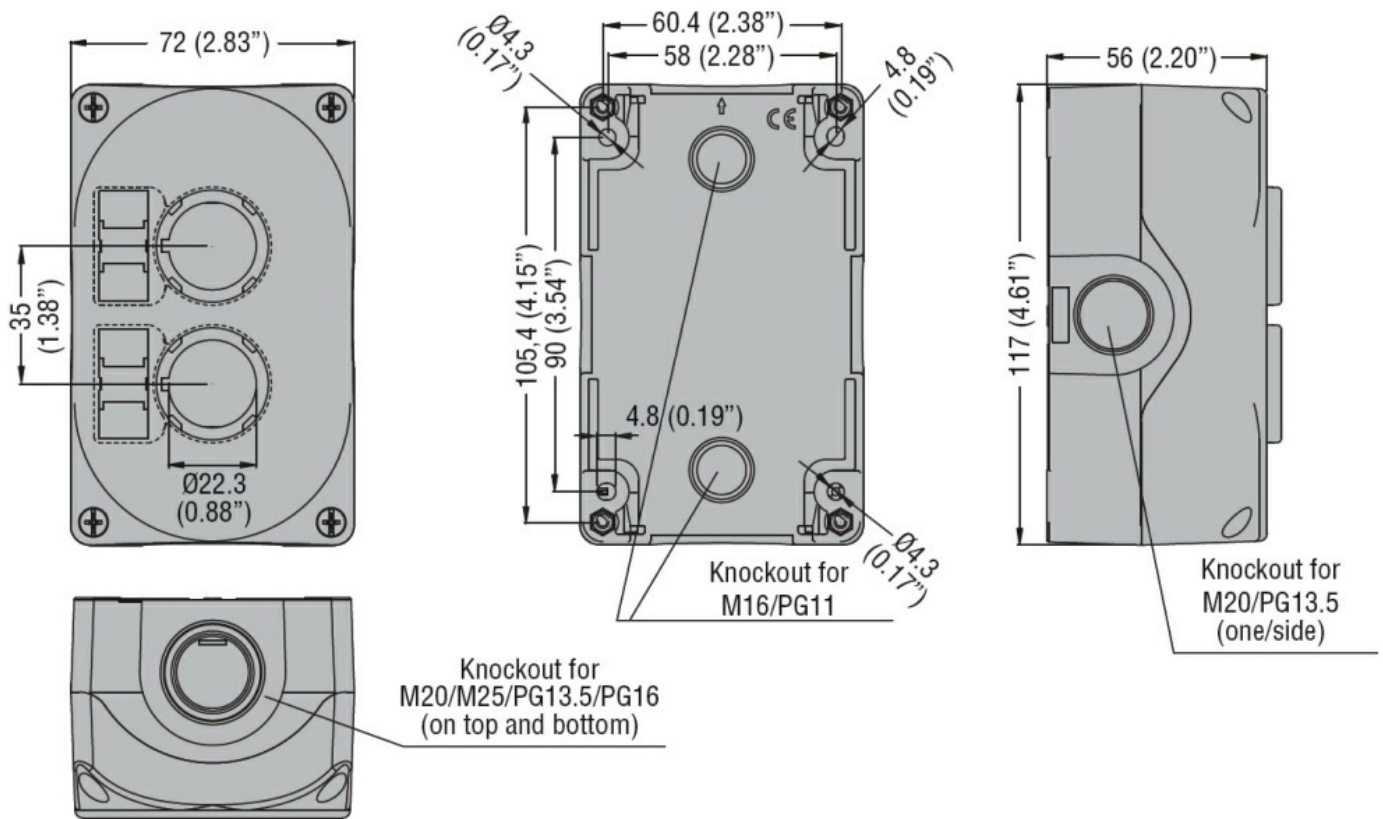
UL technical data

| | |
|-------------------------|----------------------|
| UL degree of protection | 1, 2, 3R, 4, 4X, 12K |
|-------------------------|----------------------|

Ambient conditions

| | | | |
|-----------------------|-----|----|-----|
| Temperature | | | |
| Operating temperature | | | |
| | min | °C | -25 |
| | max | °C | +70 |
| Storage temperature | | | |
| | min | °C | -40 |
| | max | °C | +85 |

Dimensions



Certifications and compliance

Compliance

CSA C22.2 n° 14

IEC/EN 60947-1

IEC/EN 60947-5-1

UL508

Certificates

cULus

EAC

ETIM classification

ETIM 8.0

EC000200 -
Enclosure for
control circuit
devices