



Plastic control station with one actuators - Yellow, 1 way LPZP1A5 LPZP1B503

Product designation

Product type designation

**General characteristics**

Colour	Yellow
Type of positions	Mushroom head pushbutton
Material	Polycarbonate
IEC degree of protection	IP66, IP67, IP69K

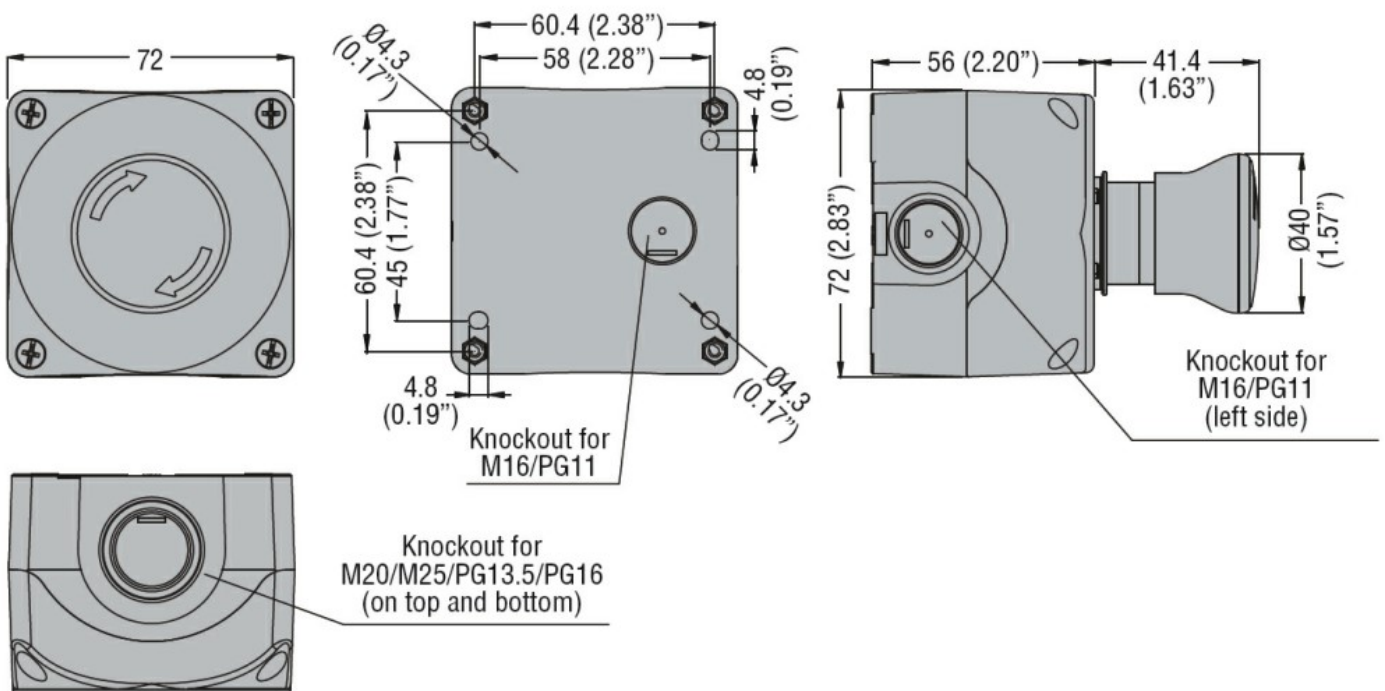
**Mechanical features**

Tightening torque for terminals max	Nm	1.8
Weight	g	150

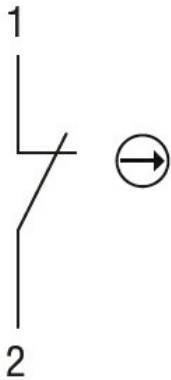
**Ambient conditions**

Temperature	Operating temperature	min	°C	-25
		max	°C	+70
	Storage temperature	min	°C	-40
		max	°C	+85

**Dimensions**



**Wiring diagrams**



### Certifications and compliance

#### Compliance

CSA C22.2 n° 14

IEC/EN 60947-1

IEC/EN 60947-5-1

UL508

#### Certificates

cULus

EAC

### ETIM classification

ETIM 8.0

EC000200 -  
Enclosure for  
control circuit  
devices