



Enclosures with cut-outs for Ø22mm units - with hole for 3 actuators
LPZM

Product designation

Product type designation

General characteristics

Colour Grey

IEC degree of protection IP66 and IP67

Mechanical features

Weight g 603

UL technical data

UL degree of protection NEMA 4X

Ambient conditions

Temperature

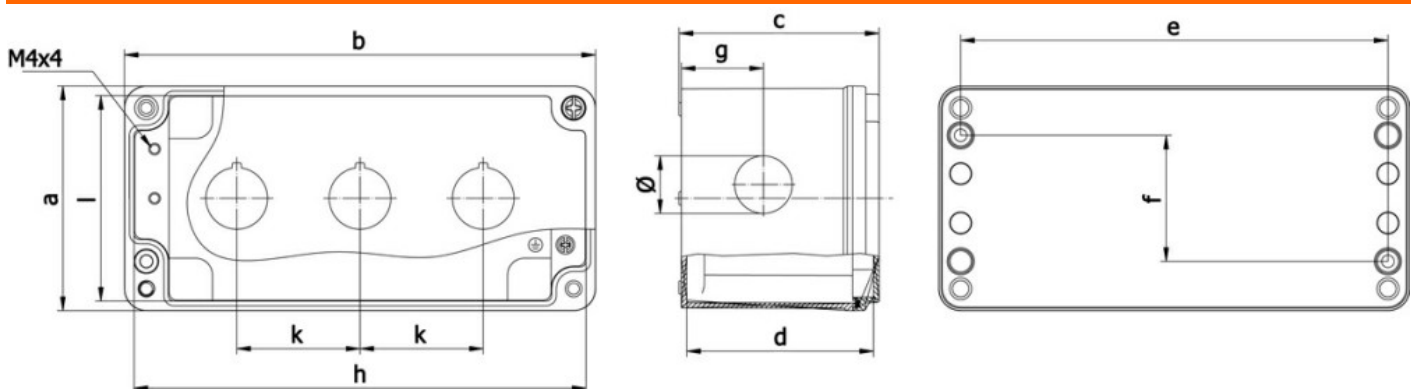
Operating temperature

min °C -25
max °C +70

Storage temperature

min °C -40
max °C +85

Dimensions



a	b	c	d	e	f	g	h	l	k	Ø
80	170	73	67	156	46	30	165	75	45	21

Certifications and compliance

Compliance

CSA C22.2 n° 14

IEC/EN 60947-1

IEC/EN 60947-5-1

UL508

Certificates

cULus

EAC

ETIM classification

ETIM 8.0

EC000200 -
Enclosure for
control circuit
devices