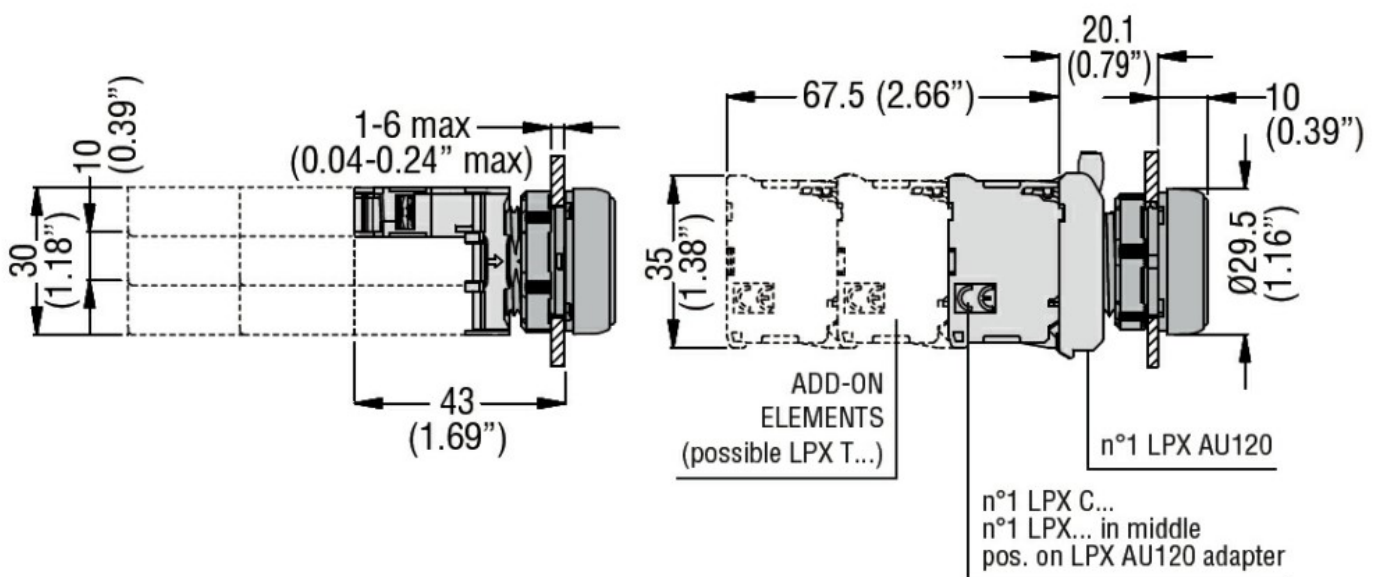


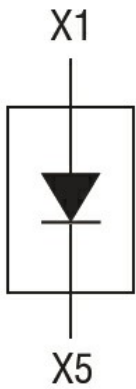


Product designation	Test elements for steady-light LED elements		
Product type designation	LPXT		
<b>Operations</b>			
Electrical life	hours	100000	
<b>Mechanical features</b>			
Tightening torque for terminals max	Nm	1	
Conductor section	AWG/kcmil conductor section		
	max	12	
	IEC		
	max	mm <sup>2</sup>	1 or 2 / 2.5
Mounting adapter	LPXAU120		
Weight	g	11	
<b>Ambient conditions</b>			
Temperature	Operating temperature		
	min	°C	-25
	max	°C	+70
	Storage temperature		
	min	°C	-40
	max	°C	+85

**Dimensions**



**Wiring diagrams**



### Certifications and compliance

#### Compliance

CSA C22.2 n° 14  
IEC/EN/BS 60947-1  
IEC/EN/BS 60947-5-1  
UL508

#### Certificates

CCC  
cULus  
EAC  
RINA

### ETIM classification

ETIM 8.0

EC002498 -  
Accessories/spare  
parts for low-  
voltage switch  
technology