



ILLUMINATED flush-extended push-push actuator with no lens
 LPXQL0

Product designation

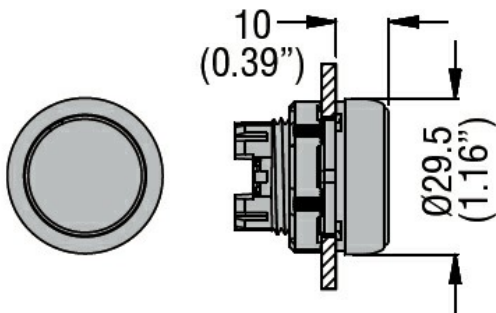
Product type designation

Mechanical features

Weight

g 13

Dimensions



Certifications and compliance

Compliance

/

Certificates

/

ETIM classification

ETIM 8.0

EC002498 -
 Accessories/spare
 parts for low-
 voltage switch
 technology